

TMDC-06001800-10S50 6-18 GHz, 10dB, 50W, SMA Female

FEATURES

- ❖ Wide Band Operation 6-18 GHz
- ❖ Power Handle Capability up to 50W
- ❖ 10 dB Typical Coupling
- ❖ Low Insertion Loss

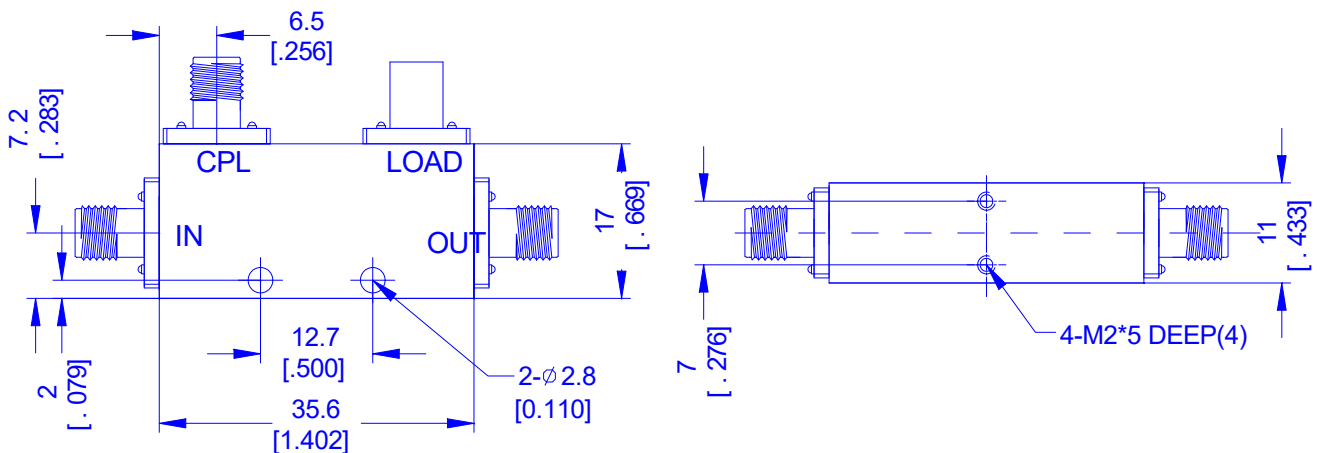
APPLICATIONS

- ❖ Frequency Measurements
- ❖ Signal Levelling, Signal Sampling
- ❖ Signal Injection
- ❖ Reflection Coefficient Measurements
- ❖ Measure incident and reflected power to determine VSWR

SPECIFICATIONS

Parameters	Min.	Typ.	Max.	Units
Frequency Range	6	-	18	GHz
Impedance	-	50	-	Ohms
Nominal Coupling	9	10	11	dB
Frequency Sensitivity	-	±0.9	±1.0	dB
Directivity	12	-	-	dB
Insertion Loss	-	-	1.0	dB
VSWR Primary	-	1.18	1.5	:1
VSWR Secondary	-	1.18	1.5	:1
Average Power	50			W
Operating Temperature	-45°C~+85°C			
Storage Temperature	-50°C~+105°C			
Input/Output Connectors	SMA female			
Weight	30g			
Surface Finishing	Black Paint			
Material	Aluminum			

Outline Drawing [mm[inch]]



Tolerances ±0.5[0.02]