

TMDC-06002660-30S30 6-26.6 GHz, 30dB, 30W, SMA Female

FEATURES

- ❖ Wide Band Operation 6-26.6 GHz
- ❖ Power Handle Capability up to 30W
- ❖ 30 dB Typical Coupling
- ❖ Low Insertion Loss

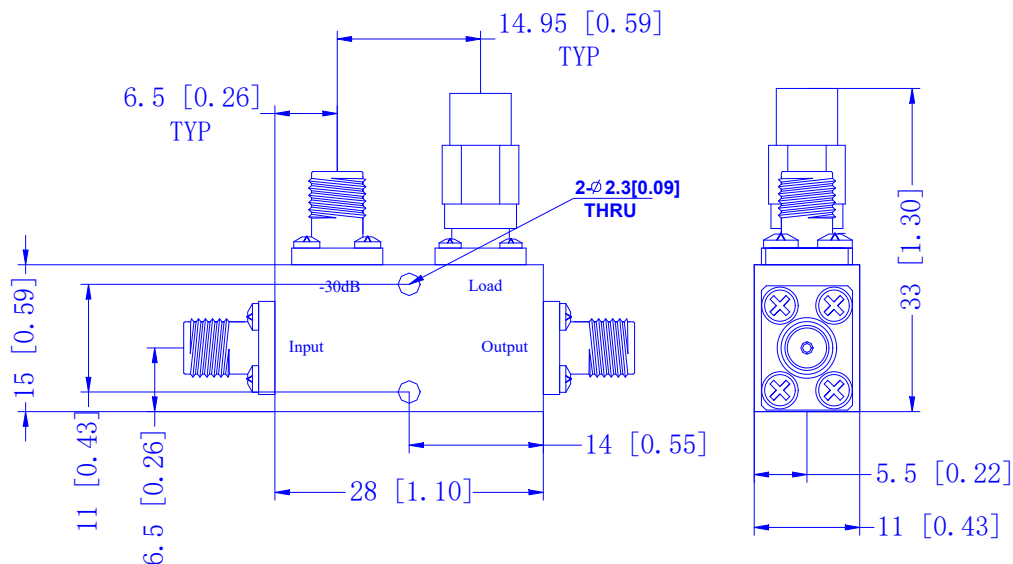
APPLICATIONS

- ❖ Frequency Measurements
- ❖ Signal Levelling, Signal Sampling
- ❖ Signal Injection
- ❖ Reflection Coefficient Measurements
- ❖ Measure incident and reflected power to determine VSWR

SPECIFICATIONS

| Parameters | Min. | Typ. | Max. | Units |
|---|--------------------------------------|------|------|-------|
| Frequency Range | 6 | - | 26.6 | GHz |
| Impedance | - | 50 | - | Ohms |
| Nominal Coupling | 29 | 30 | 31 | dB |
| Frequency Sensitivity | - | ±0.6 | ±1.0 | dB |
| Directivity | 12 | 14 | - | dB |
| Insertion Loss(Excluding coupling loss) | - | - | 0.8 | dB |
| Insertion Loss(True) | - | 0.5 | 0.8 | dB |
| VSWR Primary | - | 1.3 | 1.5 | :1 |
| VSWR Secondary | - | 1.3 | 1.5 | :1 |
| Average Power | 30 | | | W |
| Peak Power | 300(10% Duty Cycle, 1μs Pulse Width) | | | W |
| Operating Temperature | -40°C~+85°C | | | |
| Storage Temperature | -50°C~+105°C | | | |
| Input/Output Connectors | SMA female | | | |
| Weight | 30g | | | |
| Surface Finishing | Gray Paint | | | |
| Material | Aluminum | | | |

Outline Drawing [mm[inch]]



Tolerances ±0.5[0.02]