

**TMDC-06004000-30K30 6-40 GHz, 30dB, 30W, 2.92mm Female**

**FEATURES**

- ❖ Wide Band Operation 6-40 GHz
- ❖ Power Handle Capability up to 30W
- ❖ 30 dB Typical Coupling
- ❖ Low Insertion Loss

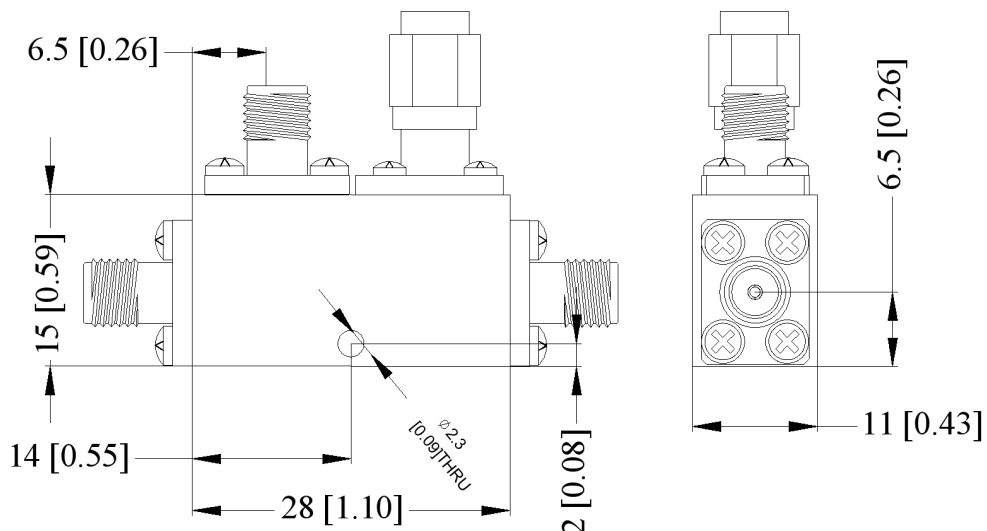
**APPLICATIONS**

- ❖ Frequency Measurements
- ❖ Signal Levelling, Signal Sampling
- ❖ Signal Injection
- ❖ Reflection Coefficient Measurements
- ❖ Measure incident and reflected power to determine VSWR

**SPECIFICATIONS**

Parameters	Min.	Typ.	Max.	Units
Frequency Range	6	-	40	GHz
Impedance	-	50	-	Ohms
Nominal Coupling	28.1	30	31.9	dB
Frequency Sensitivity	-	-	±1.2	dB
Directivity	10	-	-	dB
Insertion Loss	-	-	1.2	dB
VSWR Primary	-	1.5	1.8	:1
VSWR Secondary	-	1.5	1.8	:1
Average Power	30			W
Operating Temperature	-45°C~+85°C			
Storage Temperature	-50°C~+105°C			
Input/Output Connectors	2.92mm female			
Weight	30g			
Surface Finishing	Black/Gray Paint			
Material	Aluminum			

**Outline Drawing [mm[inch]]**



Tolerances ±0.5[0.02]