

**TMDC-07001240-10S50B 7-12.4 GHz, 10dB, 50W, SMA Female**

**FEATURES**

- ❖ Wide Band Operation 7-12.4 GHz
- ❖ Power Handle Capability up to 50W
- ❖ 10 dB Typical Coupling
- ❖ Low Insertion Loss

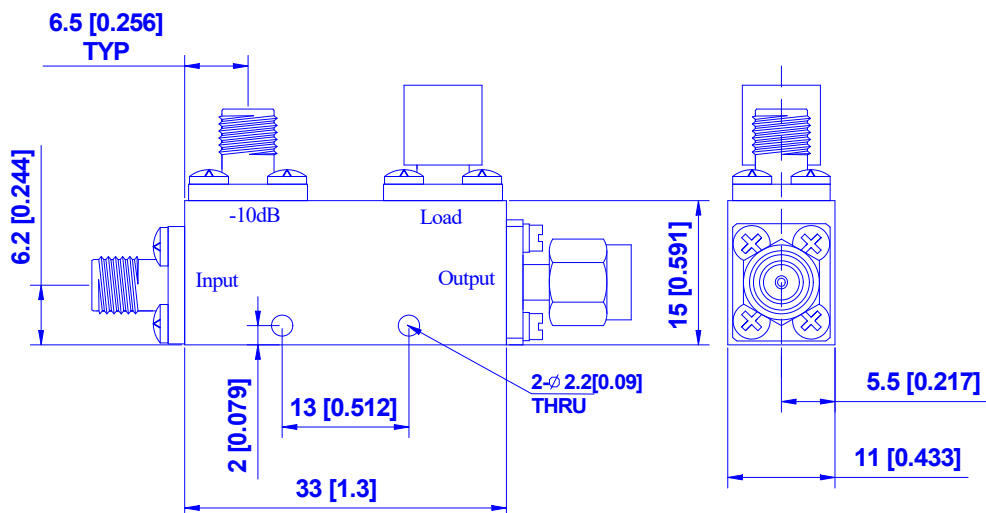
**APPLICATIONS**

- ❖ Frequency Measurements
- ❖ Signal Levelling, Signal Sampling
- ❖ Signal Injection
- ❖ Reflection Coefficient Measurements
- ❖ Measure incident and reflected power to determine VSWR

**SPECIFICATIONS**

Parameters	Min.	Typ.	Max.	Units
Frequency Range	7	-	12.4	GHz
Impedance	-	50	-	Ohms
Nominal Coupling	9	10	11	dB
Frequency Sensitivity	-	±0.3	±0.5	dB
Directivity	15	17	-	dB
Insertion Loss(Excluding coupling loss)	-	0.3	0.5	dB
Insertion Loss(True)	-	0.9	1.0	dB
VSWR Primary	-	1.2	1.3	:1
VSWR Secondary	-	1.2	1.3	:1
Average Power	50			W
Peak Power	1			kW
Operating Temperature	-40°C~+85°C			
Storage Temperature	-50°C~+105°C			
Input/Output Connectors	SMA female/female/male			
Weight	30g			
Surface Finishing	Gray Paint			
Material	Aluminum			

**Outline Drawing** [mm[inch]]



Tolerances ±0.5[0.02]