

**TMDC-08001200-6S50 8-12 GHz, 6dB, 50W, SMA Female**

**FEATURES**

- ❖ Wide Band Operation 8-12 GHz
- ❖ Power Handle Capability up to 50W
- ❖ 6 dB Typical Coupling
- ❖ Low Insertion Loss

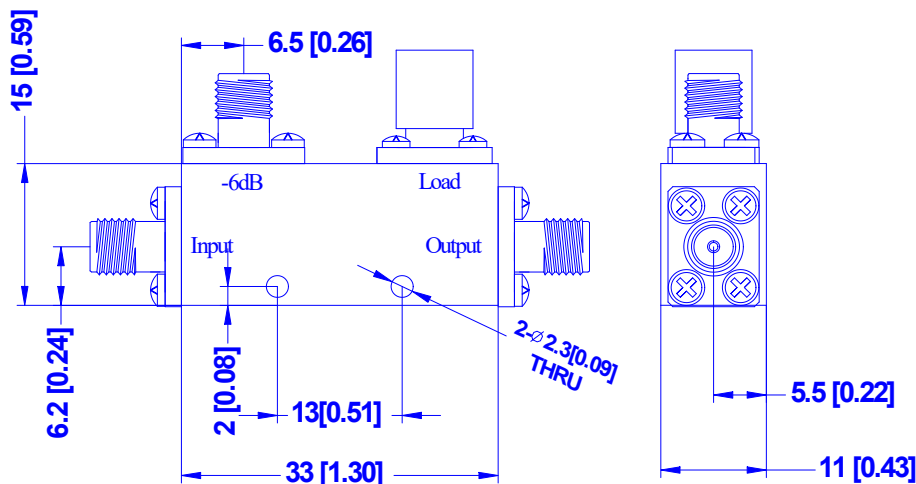
**APPLICATIONS**

- ❖ Frequency Measurements
- ❖ Signal Levelling, Signal Sampling
- ❖ Signal Injection
- ❖ Reflection Coefficient Measurements
- ❖ Measure incident and reflected power to determine VSWR

**SPECIFICATIONS**

| Parameters                              | Min.                                 | Typ. | Max. | Units |
|---|--------------------------------------|------|------|-------|
| Frequency Range                         | 8                                    | -    | 12   | GHz   |
| Impedance                               | -                                    | 50   | -    | Ohms  |
| Nominal Coupling                        | 5                                    | 6    | 7    | dB    |
| Frequency Sensitivity                   | -                                    | ±0.5 | ±0.7 | dB    |
| Directivity                             | 15                                   | 16   | -    | dB    |
| Insertion Loss(Excluding coupling loss) | -                                    | -    | 0.5  | dB    |
| Insertion Loss(True)                    | -                                    | -    | 1.9  | dB    |
| VSWR Primary                            | -                                    | 1.3  | 1.4  | :1    |
| VSWR Secondary                          | -                                    | 1.3  | 1.4  | :1    |
| Average Power                           | 50                                   |      |      | W     |
| Peak Power                              | 500(10% Duty Cycle, 1μs Pulse Width) |      |      | W     |
| Operating Temperature                   | -40°C~+85°C                          |      |      |       |
| Storage Temperature                     | -50°C~+105°C                         |      |      |       |
| Input/Output Connectors                 | SMA female(Stainless Steel)          |      |      |       |
| Weight                                  | 30g                                  |      |      |       |
| Surface Finishing                       | Gray Paint                           |      |      |       |
| Material                                | Aluminum                             |      |      |       |

**Outline Drawing [mm[inch]]**



Tolerances ±0.5[0.02]