

TMDC-12001800-6S30 12-18 GHz, 6dB, 30W, SMA Female

FEATURES

- ❖ Band Operation 12-18 GHz
- ❖ Power Handle Capability up to 30W
- ❖ 6 dB Typical Coupling
- ❖ Low Insertion Loss

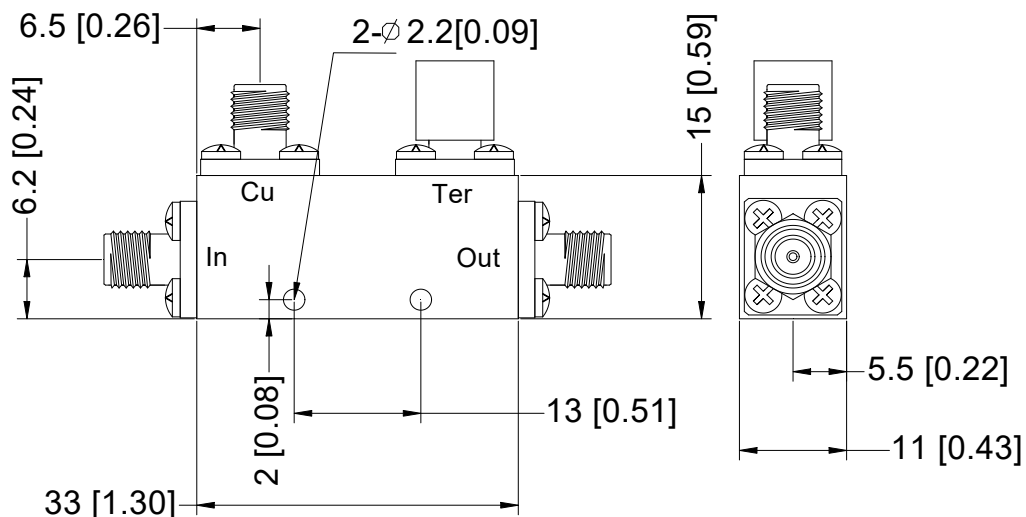
APPLICATIONS

- ❖ Frequency Measurements
- ❖ Signal Levelling, Signal Sampling
- ❖ Signal Injection
- ❖ Reflection Coefficient Measurements
- ❖ Measure incident and reflected power to determine VSWR

SPECIFICATIONS

Parameters	Min.	Typ.	Max.	Units
Frequency Range	12	-	18	GHz
Impedance	-	50	-	Ohms
Nominal Coupling	5	6	7	dB
Frequency Sensitivity	-	-	±0.9	dB
Directivity	12	-	-	dB
Insertion Loss	-	-	1.5	dB
VSWR Primary	-	-	1.5	:1
VSWR Secondary	-	-	1.5	:1
Average Power	30			W
Operating Temperature	-40°C~+85°C			
Storage Temperature	-50°C~+105°C			
Input/Output Connectors	SMA female			
Weight	35g			
Surface Finishing	Black Paint			
Material	Aluminum			

Outline Drawing [mm[inch]]



Tolerances ±0.5[0.02]