

TMDC-26504000-20K30 26.5-40 GHz, 20dB, 30W, 2.92mm Female

FEATURES

- ❖ Wide Band Operation 26.5-40 GHz
- ❖ Power Handle Capability up to 30W
- ❖ 20 dB Typical Coupling
- ❖ Low Insertion Loss

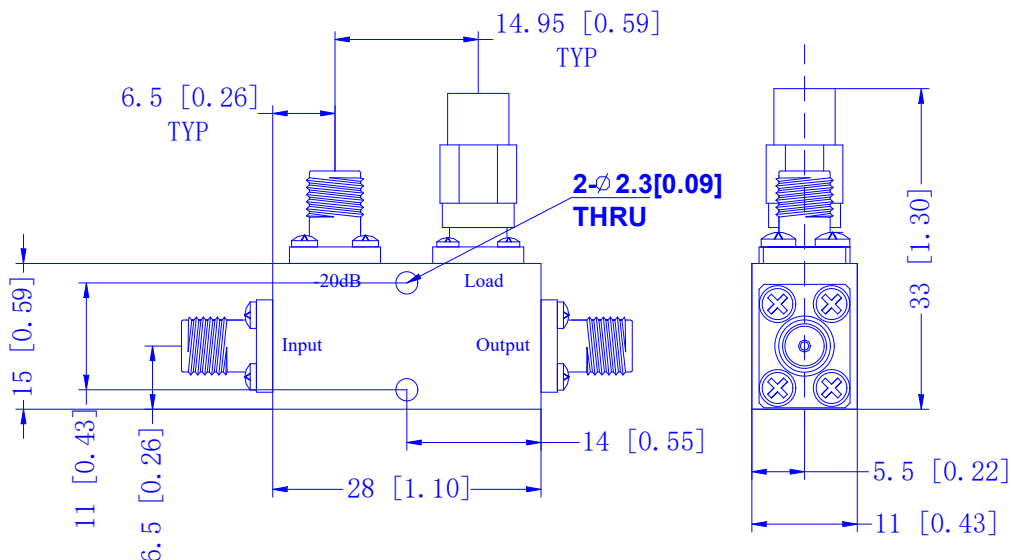
APPLICATIONS

- ❖ Frequency Measurements
- ❖ Signal Levelling, Signal Sampling
- ❖ Signal Injection
- ❖ Reflection Coefficient Measurements
- ❖ Measure incident and reflected power to determine VSWR

SPECIFICATIONS

Parameters	Min.	Typ.	Max.	Units
Frequency Range	26.5	-	40	GHz
Impedance	-	50	-	Ohms
Nominal Coupling	19	20	21	dB
Frequency Sensitivity	-	±0.4	±0.6	dB
Directivity	13	15	-	dB
Insertion Loss(Excluding coupling loss)	-	-	1.0	dB
Insertion Loss(True)	-	0.8	1.0	dB
VSWR Primary	-	1.5	1.6	:1
VSWR Secondary	-	1.5	1.6	:1
Average Power	30			W
Peak Power	300			W
Operating Temperature	-40°C~+85°C			
Storage Temperature	-50°C~+105°C			
Input/Output Connectors	2.92mm female			
Weight	25g			
Surface Finishing	Gray Paint			
Material	Aluminum			

Outline Drawing [mm[inch]]



Tolerances ±0.5[0.02]