

**TMDC-32003500-6K20 32-35 GHz, 6dB, 20W, 2.92mm Female**

**FEATURES**

- ❖ Wide Band Operation 32-35 GHz
- ❖ Power Handle Capability up to 20W
- ❖ 6 dB Typical Coupling
- ❖ Low Insertion Loss

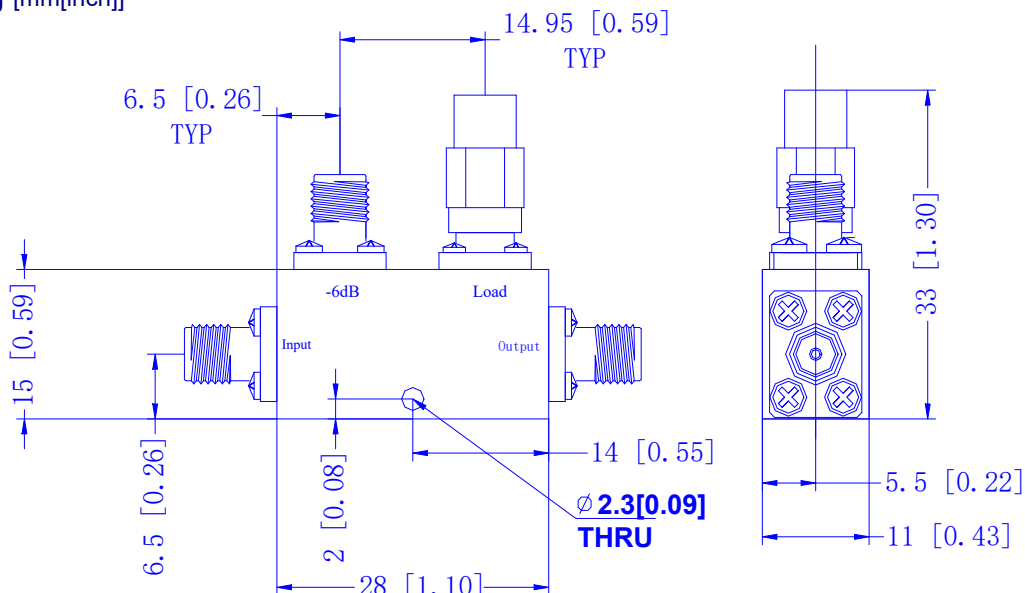
**APPLICATIONS**

- ❖ Frequency Measurements
- ❖ Signal Levelling, Signal Sampling
- ❖ Signal Injection
- ❖ Reflection Coefficient Measurements
- ❖ Measure incident and reflected power to determine VSWR

**SPECIFICATIONS**

Parameters	Min.	Typ.	Max.	Units
Frequency Range	32	-	35	GHz
Impedance	-	50	-	Ohms
Nominal Coupling	5	6	7	dB
Frequency Sensitivity	-	-	±0.5	dB
Directivity	13	-	-	dB
Insertion Loss(Excluding coupling loss)	-	-	1.35	dB
Insertion Loss(True)	-	2.4	2.6	dB
VSWR Primary	-	1.5	1.6	:1
VSWR Secondary	-	1.5	1.6	:1
Average Power	20			W
Peak Power	200(10% Duty Cycle, 1µs Pulse Width)			W
Operating Temperature	-45°C~+85°C			
Storage Temperature	-50°C~+105°C			
Input/Output Connectors	2.92mm female(Stainless Steel)			
Weight	30g			
Surface Finishing	Gray Paint			
Material	Aluminum			

**Outline Drawing [mm[inch]]**



Tolerances ±0.5[0.02]