

TMLA-00500300-3015-20 0.5-3 GHz, 30dB, P1dB 15dBm, N.F. 2.0dB

FEATURES

- ❖ Wide Band Operation 0.5-3 GHz
- ❖ Small Signal Gain 30dB Minimum
- ❖ P1dB Output Power +15dBm Typical
- ❖ Supply Voltage +5V

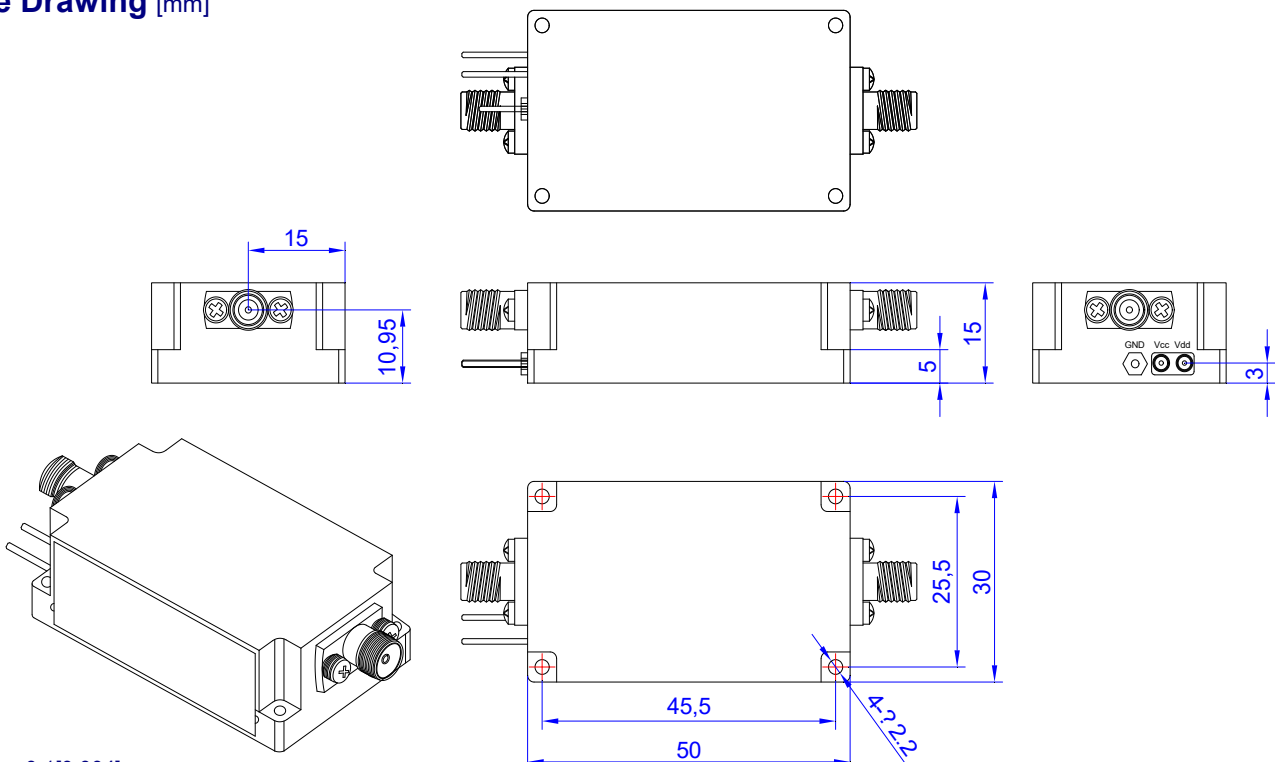
APPLICATIONS

- ❖ Wireless Infrastructure
- ❖ Test and Measurement Instrument
- ❖ Radar and EW Systems
- ❖ Satellite Receiver

SPECIFICATIONS

Parameters	Min.	Typ.	Max.	Units
Frequency Range	0.5	-	3	GHz
Impedance	-	50	-	Ohms
Gain	30	-	38	dB
Gain Flatness	-	±0.5	-	dB
Noise Figure	-	1.5	2.0	dB
Spurious	-	-	-60	dBc
VSWR	-	1.5	-	:1
Output 1dB Compression Point(P1dB)	-	+15	+19	dBm
Supply Voltage	-	+5	-	V
Supply Current	-	50	-	mA
RF Input Power	-	-	+10	dBm
Operating Temperature	-20	-	+50	°C
Storage Temperature	-40	-	+85	°C
Humidity	-	95	-	%
Input/Output Connectors	SMA female			
Weight	200g max			
Material	Aluminum			

Outline Drawing [mm]



Tolerances ±0.1[0.004]