

TMLA-17002700-1615-25 17-27 GHz, 16dB, P1dB 15dBm, N.F. 2.5dB

FEATURES

- ❖ Wide Band Operation 17-27 GHz
- ❖ Small Signal Gain 16dB Minimum
- ❖ P1dB Output Power +15dBm Typical
- ❖ Supply Voltage +5V

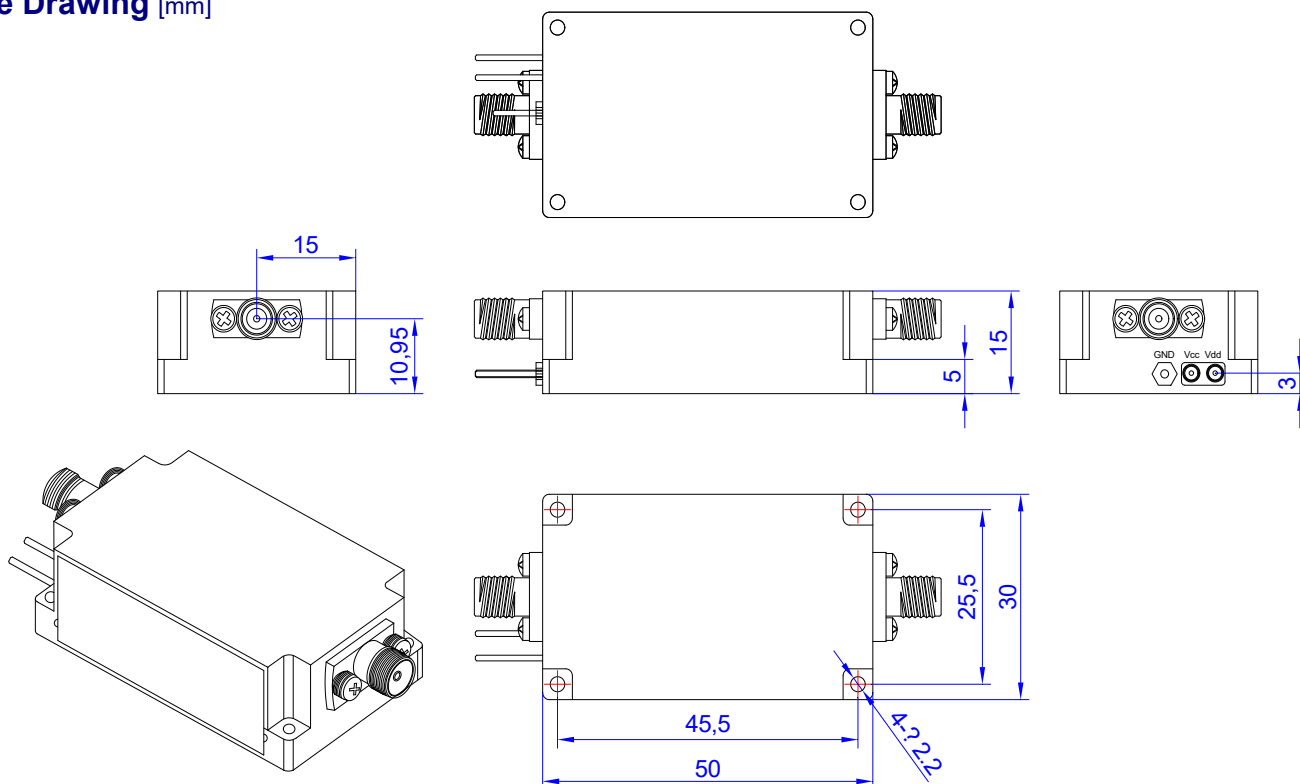
APPLICATIONS

- ❖ Wireless Infrastructure
- ❖ Test and Measurement Instrument
- ❖ Radar and EW Systems
- ❖ Satellite Receiver

SPECIFICATIONS

Parameters	Min.	Typ.	Max.	Units
Frequency Range	17	-	27	GHz
Impedance	-	50	-	Ohms
Gain	16	-	32.4	dB
Gain Flatness	-	±0.5	-	dB
Noise Figure	-	2.5	-	dB
Spurious	-	-	-60	dBc
VSWR	-	1.8	-	:1
Output 1dB Compression Point(P1dB)	-	+15	-	dBm
Supply Voltage	-	+5	-	V
Supply Current	-	80	-	mA
RF Input Power	-	-	+10	dBm
Operating Temperature	-20	-	+50	°C
Storage Temperature	-40	-	+85	°C
Humidity	-	95	-	%
Input/Output Connectors	2.92mm female			
Weight	200g max			
Material	Aluminum			

Outline Drawing [mm]



Tolerances ±0.1[0.004]