

**TMLA-01001800-3010-40 1-18 GHz, 30dB, P1dB 10dBm, N.F. 4.0dB**

**FEATURES**

- ❖ Wide Band Operation 1-18 GHz
- ❖ Small Signal Gain 30dB Minimum
- ❖ P1dB Output Power +10dBm Minimum
- ❖ Supply Voltage +12Vdc

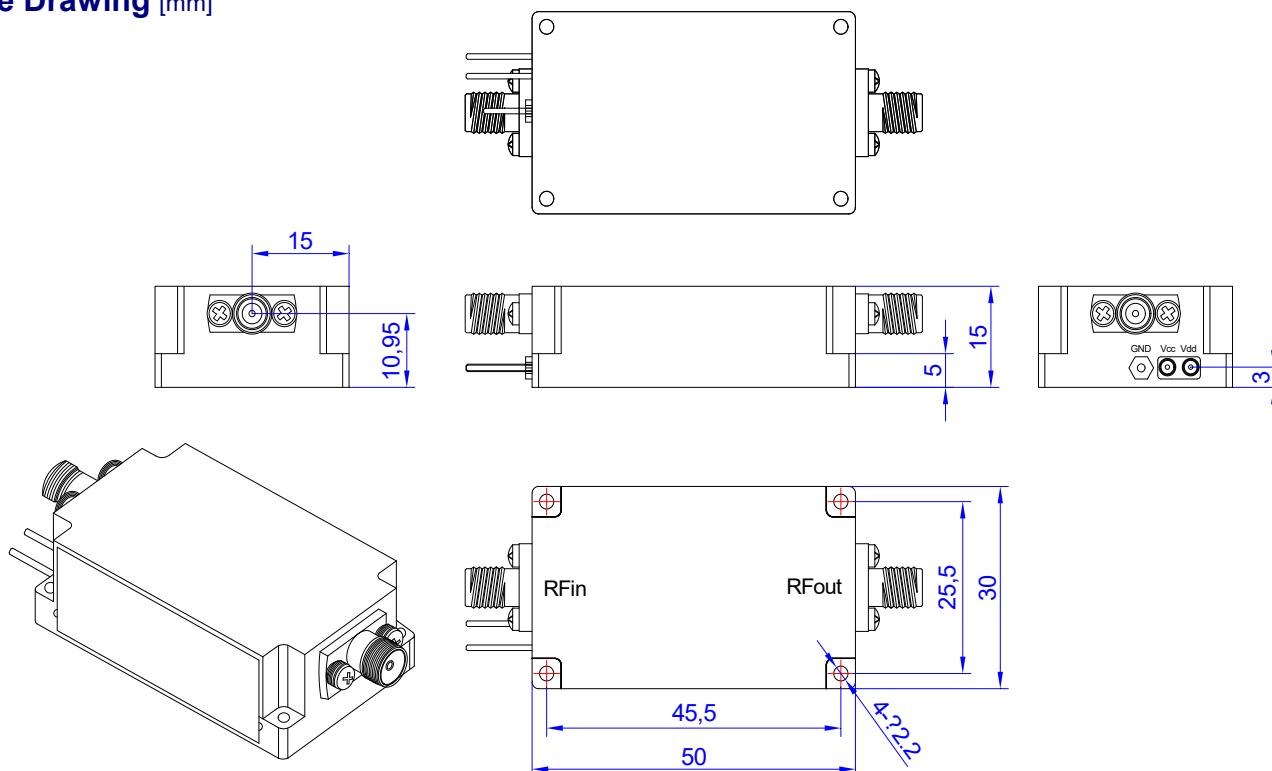
**APPLICATIONS**

- ❖ Wireless Infrastructure
- ❖ Test and Measurement Instrument
- ❖ Radar and EW Systems
- ❖ Satellite Receiver

**SPECIFICATIONS**

Parameters	Min.	Typ.	Max.	Units
Frequency Range	1	-	18	GHz
Impedance	-	50	-	Ohms
Gain	30	-	-	dB
Gain Flatness	-	±1.5	-	dB
Noise Figure	-	4.0	-	dB
Spurious	-	-	-60	dBc
VSWR	-	1.5	-	:1
Output 1dB Compression Point(P1dB)	+10	-	-	dBm
Supply Voltage	-	+12	-	V
Supply Current	-	180	-	mA
RF Input Power	-	-	+15	dBm
Operating Temperature	-20	-	+50	°C
Storage Temperature	-40	-	+85	°C
Humidity	-	95	-	%
Input/Output Connectors	SMA female			
Weight	50g			
Material	Aluminum			

**Outline Drawing [mm]**



Tolerances ±0.1[0.004]