

**TMLA-01001800-4510-30 1-18 GHz, 45dB, P1dB 10dBm, N.F. 3.0dB**

**FEATURES**

- ❖ Wide Band Operation 1-18 GHz
- ❖ Small Signal Gain 45dB Minimum
- ❖ P1dB Output Power +10dBm Minimum
- ❖ Supply Voltage +5Vdc or +12Vdc

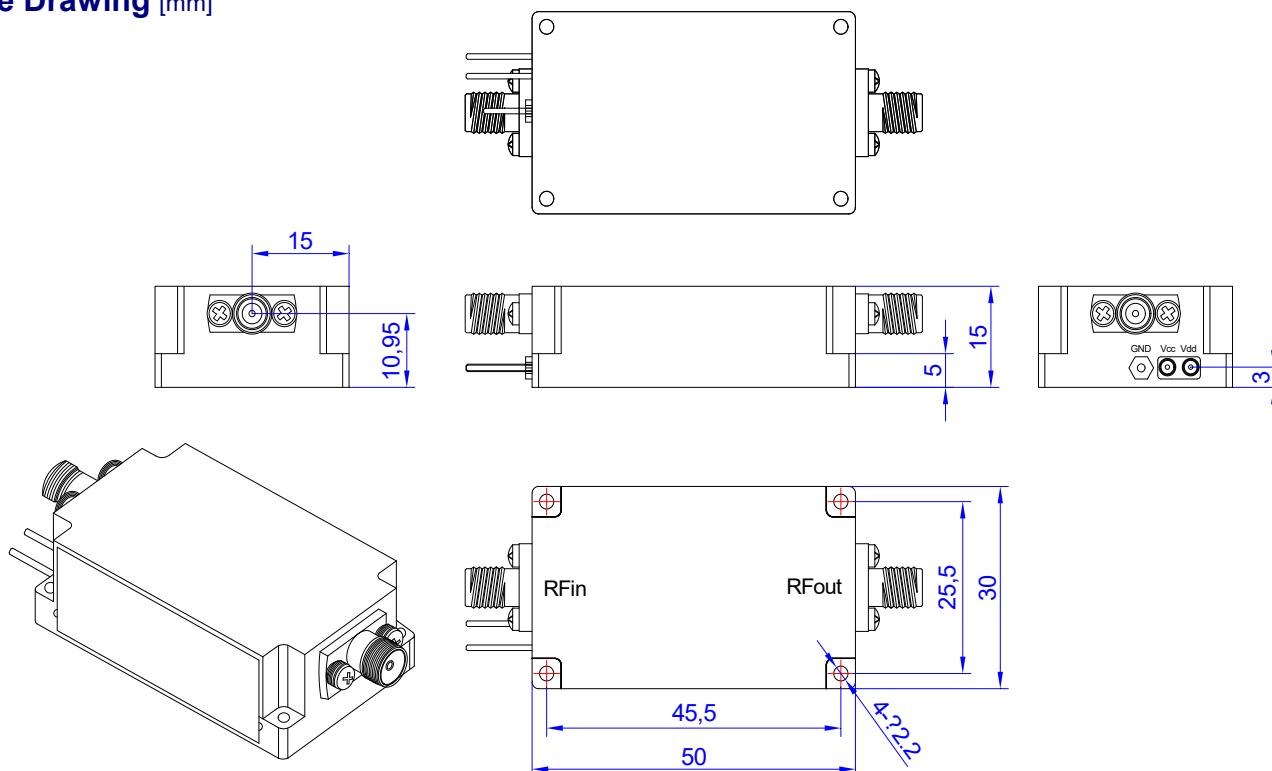
**APPLICATIONS**

- ❖ Wireless Infrastructure
- ❖ Test and Measurement Instrument
- ❖ Radar and EW Systems
- ❖ Satellite Receiver

**SPECIFICATIONS**

| Parameters                         | Min.       | Typ.   | Max. | Units |
|------------------------------------|------------|--------|------|-------|
| Frequency Range                    | 1          | -      | 18   | GHz   |
| Impedance                          | -          | 50     | -    | Ohms  |
| Gain                               | 45         | -      | -    | dB    |
| Gain Flatness                      | -          | ±2.0   | -    | dB    |
| Noise Figure                       | -          | 3.0    | -    | dB    |
| Spurious                           | -          | -      | -60  | dBc   |
| VSWR                               | -          | 1.5    | -    | :1    |
| Output 1dB Compression Point(P1dB) | 10         | -      | -    | dBm   |
| Supply Voltage                     | -          | +5/+12 | -    | V     |
| Supply Current                     | -          | 200    | -    | mA    |
| RF Input Power                     | -          | -      | -20  | dBm   |
| Operating Temperature              | -20        | -      | +60  | °C    |
| Storage Temperature                | -40        | -      | +85  | °C    |
| Humidity                           | -          | 95     | -    | %     |
| Input/Output Connectors            | SMA female |        |      |       |
| Weight                             | 50g        |        |      |       |
| Material                           | Aluminum   |        |      |       |

**Outline Drawing [mm]**



Tolerances ±0.1[0.004]