

TMLA-01001800-4712-32 1-18 GHz, 47dB, P1dB 12dBm, N.F. 3.2dB

FEATURES

- ❖ Wide Band Operation 1-18 GHz
- ❖ Small Signal Gain 47dB Minimum
- ❖ P1dB Output Power +12dBm Typical
- ❖ Supply Voltage +12Vdc

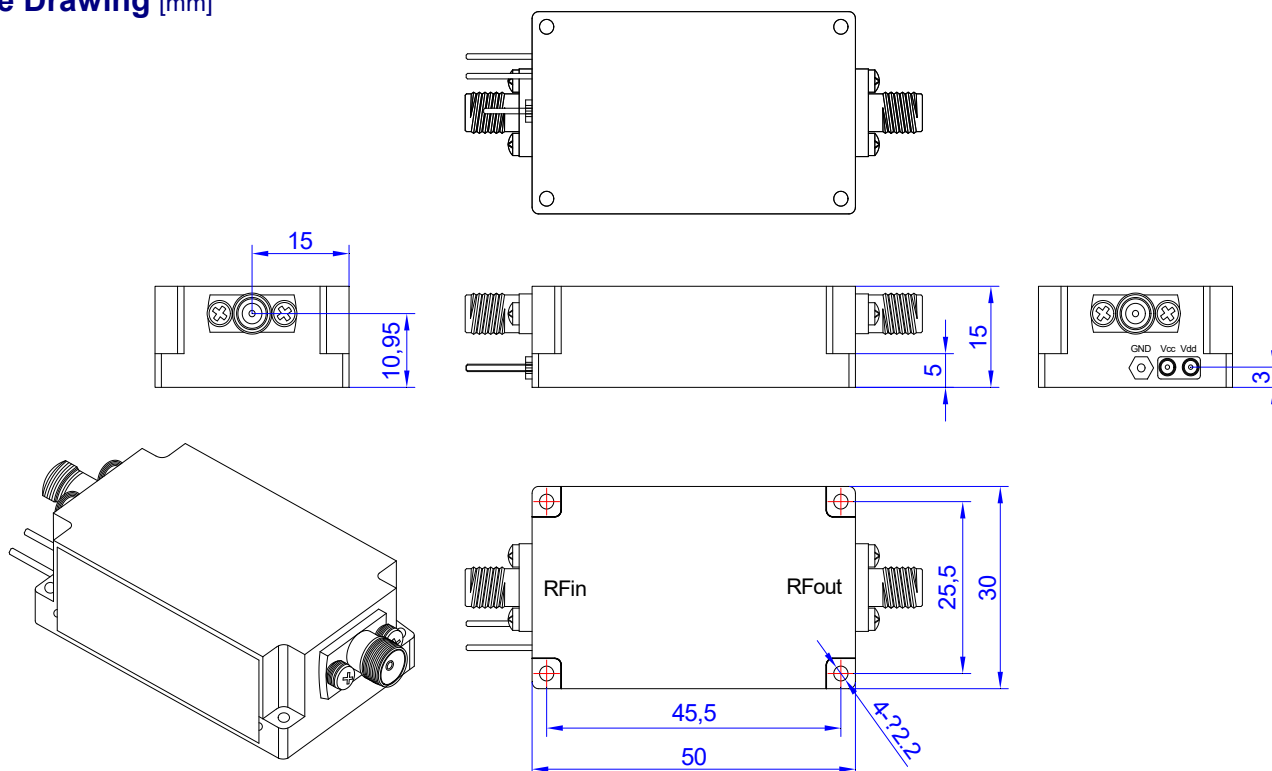
APPLICATIONS

- ❖ Wireless Infrastructure
- ❖ Test and Measurement Instrument
- ❖ Radar and EW Systems
- ❖ Satellite Receiver

SPECIFICATIONS

Parameters	Min.	Typ.	Max.	Units
Frequency Range	1	-	18	GHz
Impedance	-	50	-	Ohms
Gain	47	-	-	dB
Gain Flatness	-	±2.0	-	dB
Noise Figure	-	3.2	-	dB
Harmonic	-	-15	-	dBc
Spurious	-	-	-60	dBc
VSWR	-	1.8	-	:1
Output 1dB Compression Point(P1dB)	-	12	-	dBm
Supply Voltage	-	+12	-	V
Supply Current	-	300	-	mA
Operating Temperature	-20	-	+60	°C
Storage Temperature	-40	-	+85	°C
Humidity	-	95	-	%
Input/Output Connectors	SMA female			
Weight	50g			
Material	Aluminum			

Outline Drawing [mm]



Tolerances ±0.1[0.004]