

TMLA-08002650-4018-65 8-26.5 GHz, 40dB, P1dB 18dBm, N.F. 6.5dB

FEATURES

- ❖ Wide Band Operation 8-26.5 GHz
- ❖ Small Signal Gain 40dB Typical
- ❖ P1dB Output Power +18dBm Minimum
- ❖ Supply Voltage +12Vdc

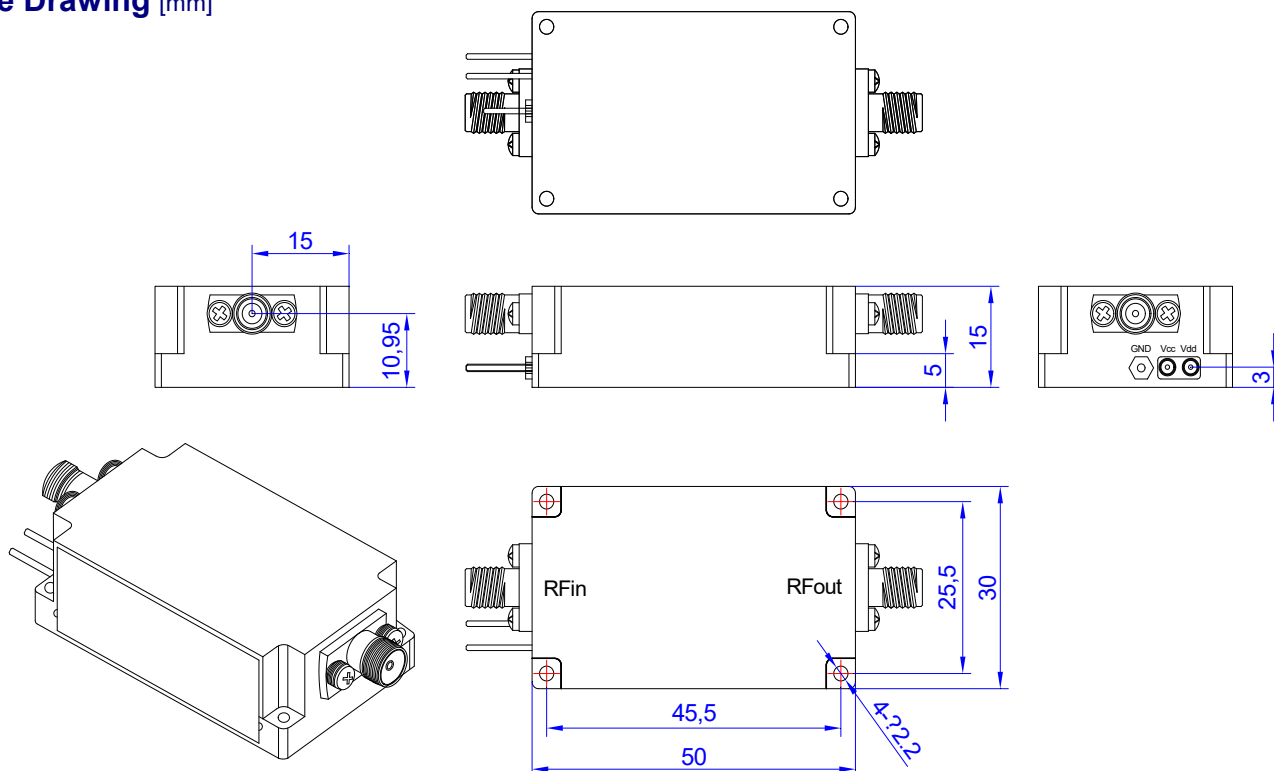
APPLICATIONS

- ❖ Wireless Infrastructure
- ❖ Test and Measurement Instrument
- ❖ Radar and EW Systems
- ❖ Satellite Receiver

SPECIFICATIONS

Parameters	Min.	Typ.	Max.	Units
Frequency Range	8	-	26.5	GHz
Impedance	-	50	-	Ohms
Gain	-	40	-	dB
Gain Flatness	-	±2.0	-	dB
Noise Figure	-	-	6.5	dB
Spurious	-	-	-60	dBc
VSWR	-	2.0	-	:1
Output 1dB Compression Point(P1dB)	18	-	-	dBm
Supply Voltage	-	+12	-	V
Supply Current	-	650	-	mA
RF Input Power	-	-	+15	dBm
Operating Temperature	-20	-	+50	°C
Storage Temperature	-40	-	+85	°C
Humidity	-	95	-	%
Input/Output Connectors	2.92mm female			
Weight	50g			
Material	Aluminum			

Outline Drawing [mm]



Tolerances ±0.1[0.004]