

TMLA-12001800-2015-40 12-18 GHz, 20dB, P1dB 15dBm, N.F. 4.0dB

FEATURES

- ❖ Wide Band Operation 12-18 GHz
- ❖ Small Signal Gain 20dB Minimum
- ❖ P1dB Output Power +15dBm Minimum
- ❖ Supply Voltage +12Vdc

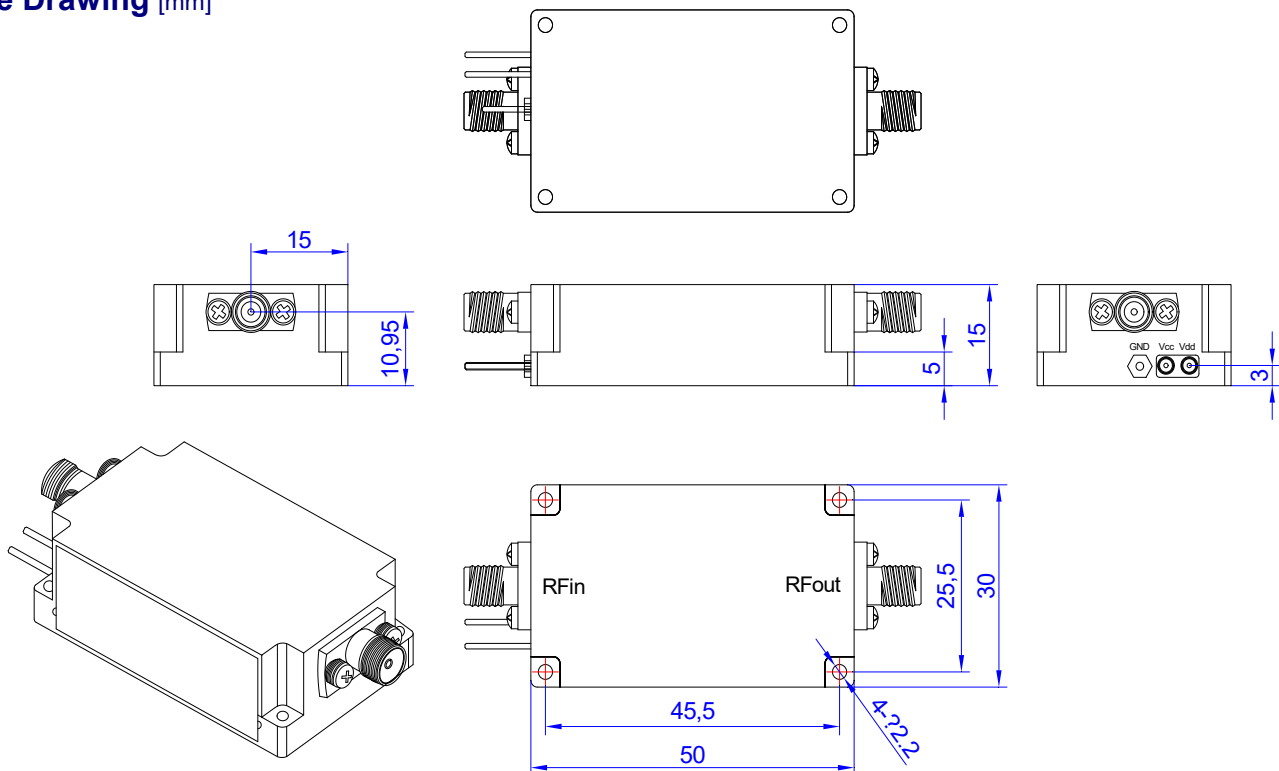
APPLICATIONS

- ❖ Wireless Infrastructure
- ❖ Test and Measurement Instrument
- ❖ Radar and EW Systems
- ❖ Satellite Receiver

SPECIFICATIONS

Parameters	Min.	Typ.	Max.	Units
Frequency Range	12	-	18	GHz
Impedance	-	50	-	Ohms
Gain	20	-	-	dB
Gain Flatness	-	±1.5	-	dB
Noise Figure	-	-	4.0	dB
Spurious	-	-	-60	dBc
VSWR	-	-	1.5	:1
Output 1dB Compression Point(P1dB)	15	-	-	dBm
Supply Voltage	-	+12	-	V
Supply Current	-	200	-	mA
RF Input Power	-	-	+10	dBm
Operating Temperature	-20	-	+60	°C
Storage Temperature	-40	-	+85	°C
Humidity	-	95	-	%
Input/Output Connectors	SMA female			
Weight	50g			
Material	Aluminum			

Outline Drawing [mm]



Tolerances ±0.1[0.004]