

TMLA-18004000-2510-50 18-40 GHz, 25dB, P1dB 10dBm, N.F. 5.0dB

FEATURES

- ❖ Wide Band Operation 18-40 GHz
- ❖ Small Signal Gain 25dB Minimum
- ❖ P1dB Output Power +10dBm Minimum
- ❖ Supply Voltage +5Vdc

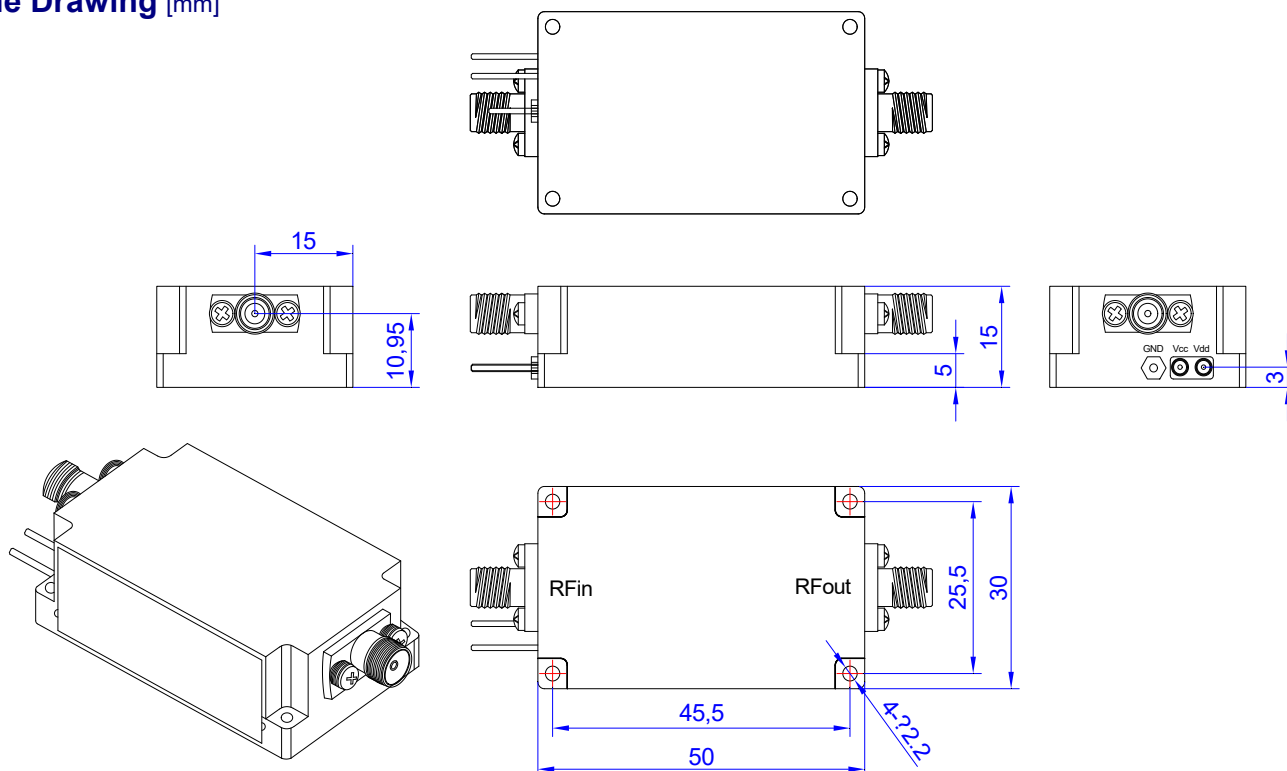
APPLICATIONS

- ❖ Wireless Infrastructure
- ❖ Test and Measurement Instrument
- ❖ Radar and EW Systems
- ❖ Satellite Receiver

SPECIFICATIONS

Parameters	Min.	Typ.	Max.	Units
Frequency Range	18	-	40	GHz
Impedance	-	50	-	Ohms
Gain	25	-	-	dB
Gain Flatness	-	±3.0	-	dB
Noise Figure	-	-	5.0	dB
Spurious	-	-	-60	dBc
VSWR	-	2.0	-	:1
Output 1dB Compression Point(P1dB)	10	-	-	dBm
Supply Voltage	-	+5	-	V
Supply Current	-	150	-	mA
RF Input Power	-	-	+10	dBm
Operating Temperature	-20	-	+50	°C
Storage Temperature	-40	-	+85	°C
Humidity	-	95	-	%
Input/Output Connectors	2.92mm female			
Weight	50g			
Material	Aluminum			

Outline Drawing [mm]



Tolerances ±0.1[0.004]