

TMLA-18004000-2515-50 18-40 GHz, 25dB, P1dB 15dBm, N.F. 5.0dB

FEATURES

- ❖ Wide Band Operation 18-40 GHz
- ❖ Small Signal Gain 25dB Minimum
- ❖ P1dB Output Power +15dBm Minimum
- ❖ Supply Voltage +12Vdc

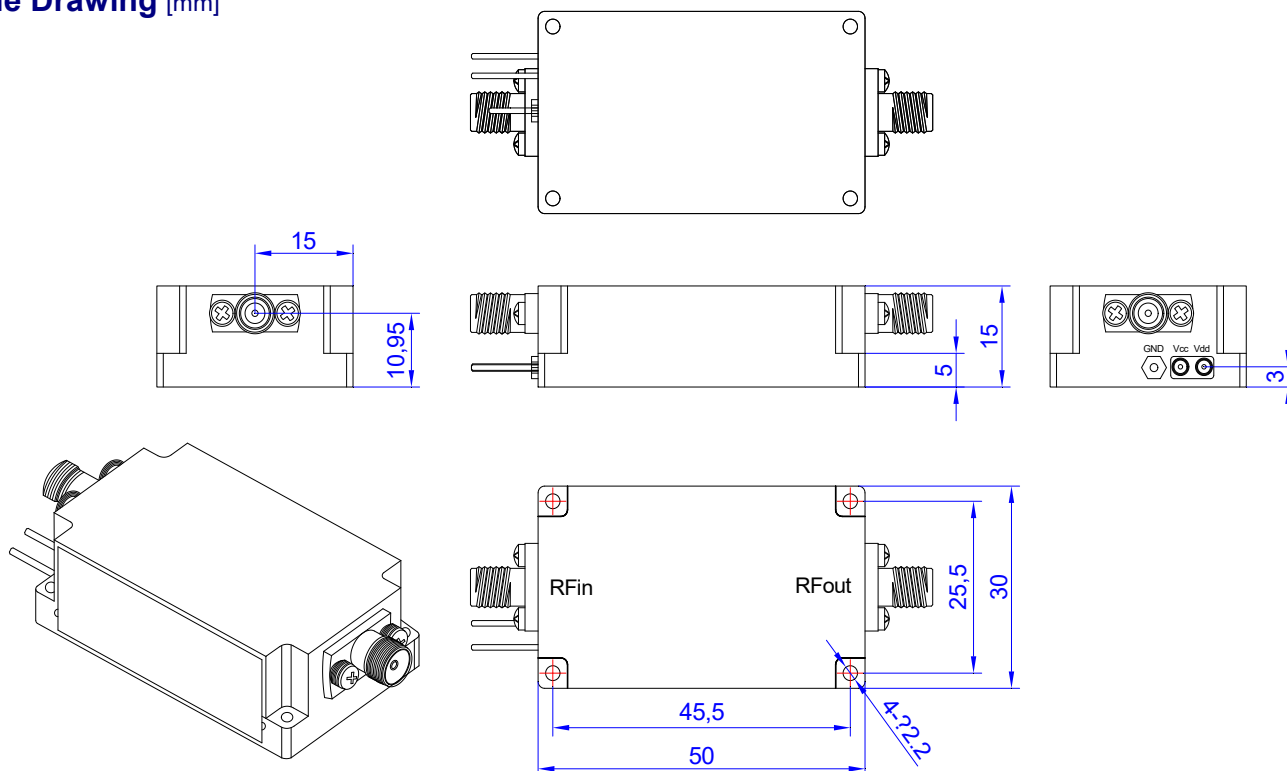
APPLICATIONS

- ❖ Wireless Infrastructure
- ❖ Test and Measurement Instrument
- ❖ Radar and EW Systems
- ❖ Satellite Receiver

SPECIFICATIONS

| Parameters | Min. | Typ. | Max. | Units |
|------------------------------------|---------------|------|------|-------|
| Frequency Range | 18 | - | 40 | GHz |
| Impedance | - | 50 | - | Ohms |
| Gain | 25 | - | - | dB |
| Gain Flatness | - | ±2.5 | - | dB |
| Noise Figure | - | - | 5.0 | dB |
| Spurious | - | - | -60 | dBc |
| VSWR | - | 2.0 | - | :1 |
| Output 1dB Compression Point(P1dB) | 15 | - | - | dBm |
| Supply Voltage | - | +12 | - | V |
| Supply Current | - | 300 | - | mA |
| RF Input Power | - | - | +5 | dBm |
| Operating Temperature | -20 | - | +50 | °C |
| Storage Temperature | -40 | - | +85 | °C |
| Humidity | - | 95 | - | % |
| Input/Output Connectors | 2.92mm female | | | |
| Weight | 50g | | | |
| Material | Aluminum | | | |

Outline Drawing [mm]



Tolerances ±0.1[0.004]