

**TMLA-18004000-4006-45 18-40 GHz, 40dB, P1dB 6dBm, N.F. 4.5dB**

**FEATURES**

- ❖ Wide Band Operation 18-40 GHz
- ❖ Small Signal Gain 40dB Minimum
- ❖ P1dB Output Power +6dBm Minimum
- ❖ Supply Voltage +15Vdc

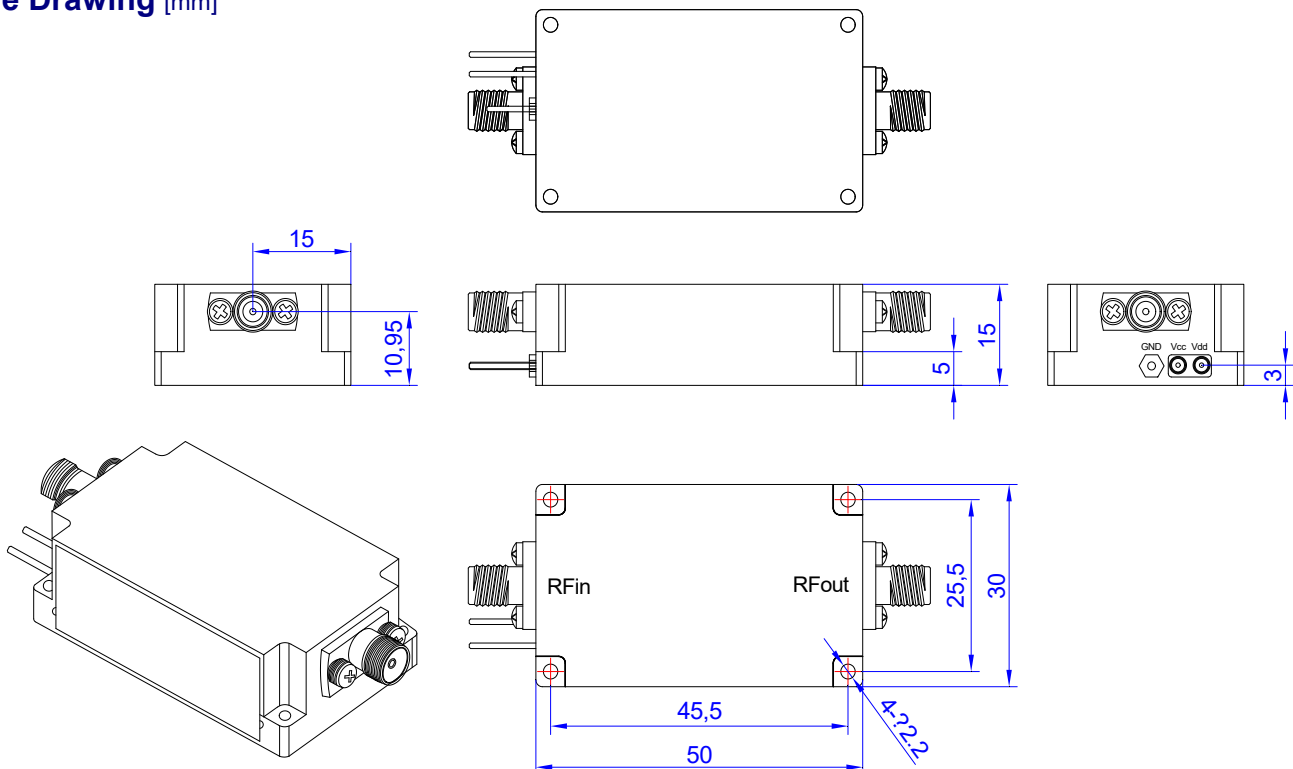
**APPLICATIONS**

- ❖ Wireless Infrastructure
- ❖ Test and Measurement Instrument
- ❖ Radar and EW Systems
- ❖ Satellite Receiver

**SPECIFICATIONS**

Parameters	Min.	Typ.	Max.	Units
Frequency Range	18	-	40	GHz
Impedance	-	50	-	Ohms
Gain	40	-	-	dB
Gain Flatness	-	±2.5	-	dB
Noise Figure	-	4.0	4.5	dB
Spurious	-	-	-60	dBc
VSWR	-	2.0	-	:1
Output 1dB Compression Point(P1dB)	6	-	-	dBm
Supply Voltage	-	+15	-	V
Supply Current	-	200	-	mA
RF Input Power	-	-	0	dBm
Operating Temperature	-20	-	+50	°C
Storage Temperature	-40	-	+85	°C
Humidity	-	95	-	%
Input/Output Connectors	2.92mm female			
Weight	50g			
Material	Aluminum			

**Outline Drawing [mm]**



Tolerances ±0.1[0.004]