

**TMLA-20003200-4010-25 20-32 GHz, 40dB, P1dB 10dBm, N.F. 2.5dB**

**FEATURES**

- ❖ Wide Band Operation 20-32 GHz
- ❖ Small Signal Gain 40dB Minimum
- ❖ P1dB Output Power +10dBm Typical
- ❖ Supply Voltage +5Vdc

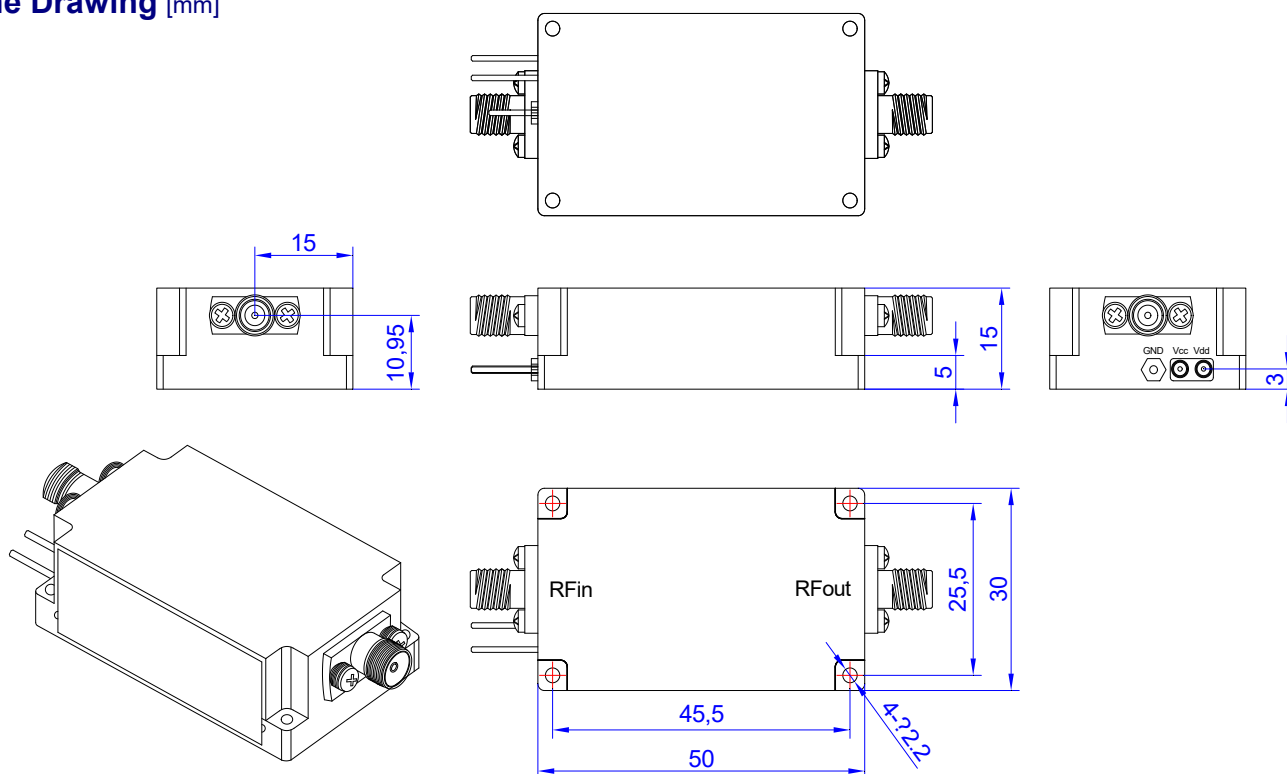
**APPLICATIONS**

- ❖ Wireless Infrastructure
- ❖ Test and Measurement Instrument
- ❖ Radar and EW Systems
- ❖ Satellite Receiver

**SPECIFICATIONS**

Parameters	Min.	Typ.	Max.	Units
Frequency Range	20	-	32	GHz
Impedance	-	50	-	Ohms
Gain	40	-	-	dB
Gain Flatness	-	±2.5	-	dB
Noise Figure	-	2.5	-	dB
Spurious	-	-	-60	dBc
VSWR	-	2.0	-	:1
Output 1dB Compression Point(P1dB)	-	10	-	dBm
Supply Voltage	-	+5	-	V
RF Input Power	-	-	10	dBm
Operating Temperature	-20	-	+50	°C
Storage Temperature	-40	-	+85	°C
Humidity	-	95	-	%
Input/Output Connectors	2.92mm female			
Weight	50g			
Material	Aluminum			

**Outline Drawing [mm]**



Tolerances ±0.1[0.004]