

TMHC90-00500900-50S 0.5-9 GHz, 50W, SMA Female

FEATURES

- ❖ Wide Band Operation 0.5-9 GHz
- ❖ Power Handle Capability up to 50W
- ❖ High Isolation Across Operational Band
- ❖ Low Insertion Loss
- ❖ Stable Performance Over Temperature

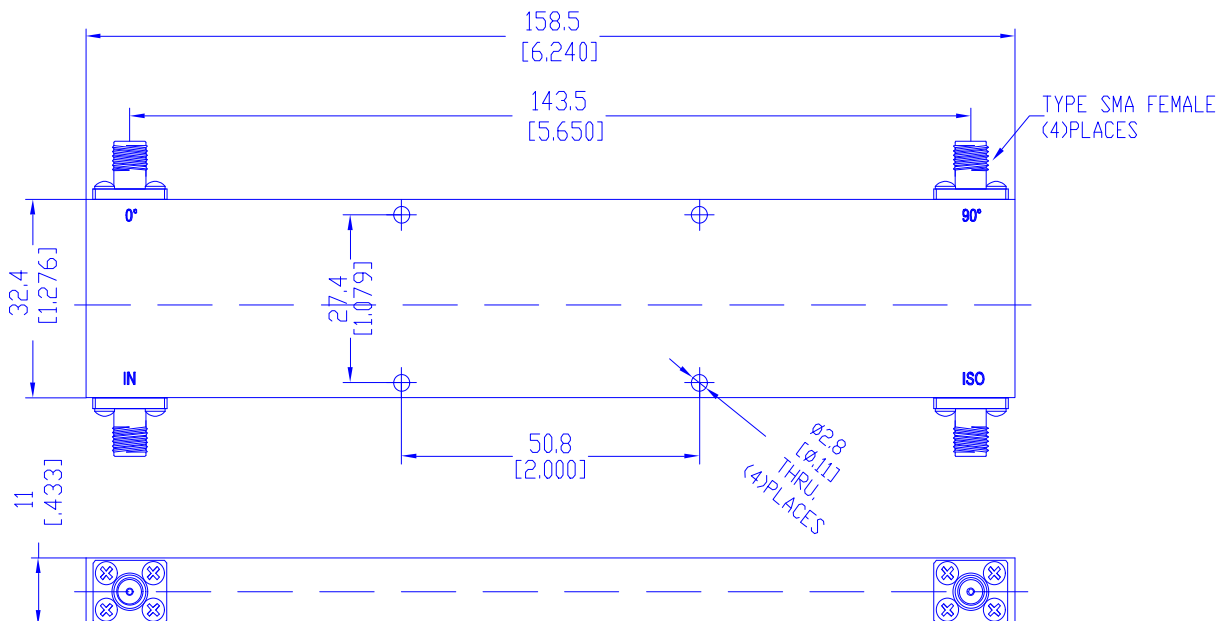
APPLICATIONS

- ❖ Commercial Wireless Communications
- ❖ Radar Systems
- ❖ Receivers Systems
- ❖ Antenna Beam Forming
- ❖ Test Labs

SPECIFICATIONS

Parameters	Min.	Typ.	Max.	Units
Frequency Range	0.5	-	9	GHz
Impedance	-	50	-	Ohms
Nominal Split	-	3.01	-	dB
Insertion Loss	-	-	1.5	dB
Isolation	16	-	-	dB
Amplitude Balance	-	-	±0.7	dB
Phase Balance	-	-	±7	Deg
VSWR	-	-	1.4	:1
Average Power	-	-	50	W
Peak Power	-	-	1	kW
Operating Temperature	-40°C~+85°C			
Storage Temperature	-50°C~+105°C			
Input/Output Connectors	SMA female			
Weight	90g			
Surface Finishing	Black/Blue Paint			
Material	Aluminum			

Outline Drawing [mm][inch]



Tolerances ±0.5[0.02]