

**TMHC90-00600420-50N 0.6-4.2 GHz, 50W, N Female**

**FEATURES**

- ❖ Wide Band Operation 0.6-4.2 GHz
- ❖ Power Handle Capability up to 50W
- ❖ High Isolation Across Operational Band
- ❖ Low Insertion Loss
- ❖ Stable Performance Over Temperature

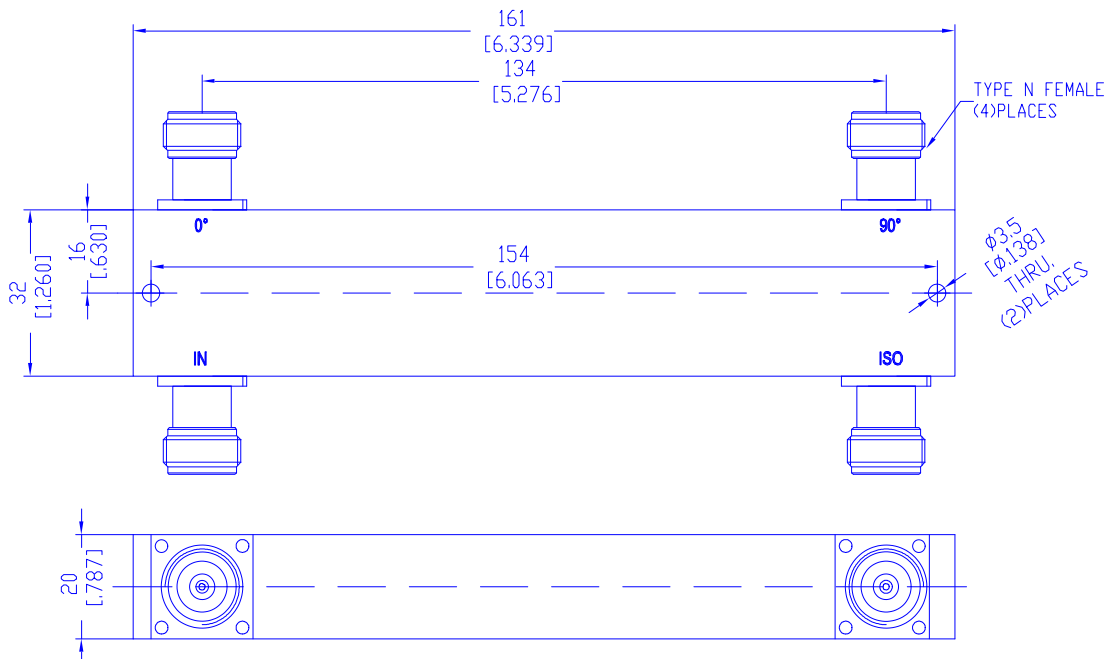
**APPLICATIONS**

- ❖ Commercial Wireless Communications
- ❖ Radar Systems
- ❖ Receivers Systems
- ❖ Antenna Beam Forming
- ❖ Test Labs

**SPECIFICATIONS**

Parameters	Min.	Typ.	Max.	Units
Frequency Range	0.6	-	4.2	GHz
Impedance	-	50	-	Ohms
Nominal Split	-	3.01	-	dB
Insertion Loss	-	-	1.0	dB
Isolation	20	-	-	dB
Amplitude Balance	-	-	±0.6	dB
Phase Balance	-	-	±5	Deg
VSWR	-	-	1.25	:1
Average Power	-	-	50	W
Peak Power	-	-	1	kW
Operating Temperature	-40°C~+85°C			
Storage Temperature	-50°C~+105°C			
Input/Output Connectors	N female			
Weight	340g			
Surface Finishing	Black/Blue Paint			
Material	Aluminum			

**Outline Drawing [mm[inch]]**



Tolerances ±0.5[0.02]