

TMHC90-01001800-20S 1-18 GHz, 20W, SMA Female

FEATURES

- ❖ Wide Band Operation 1-18 GHz
- ❖ Power Handle Capability up to 20W
- ❖ High Isolation Across Operational Band
- ❖ Low Insertion Loss
- ❖ Stable Performance Over Temperature

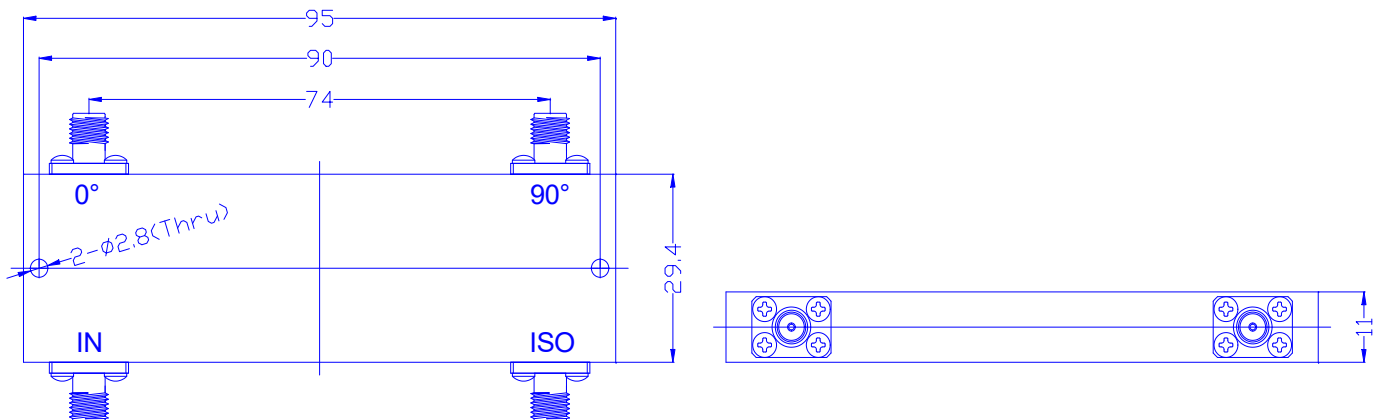
APPLICATIONS

- ❖ Commercial Wireless Communications
- ❖ Radar Systems
- ❖ Receivers Systems
- ❖ Antenna Beam Forming
- ❖ Test Labs

SPECIFICATIONS

Parameters	Min.	Typ.	Max.	Units
Frequency Range	1	-	18	GHz
Impedance	-	50	-	Ohms
Nominal Split	-	3.01	-	dB
Insertion Loss	-	-	2.0	dB
Isolation	16	-	-	dB
Amplitude Balance	-	-	±1.0	dB
Phase Balance	-	-	±10	Deg
VSWR	-	-	1.8	:1
Average Power	-	-	20	W
Peak Power	-	-	-	kW
Operating Temperature	-40°C~+85°C			
Storage Temperature	-50°C~+105°C			
Input/Output Connectors	SMA female			
Weight	90g			
Surface Finishing	Black Paint			
Material	Aluminum			

Outline Drawing [mm[inch]]



Tolerances ±0.5[0.02]