

TMHC90-01150165-400N 1.15-1.65 GHz, 400W, N Female

FEATURES

- ❖ Wide Band Operation 1.15-1.65 GHz
- ❖ Power Handle Capability up to 400W
- ❖ High Isolation Across Operational Band
- ❖ Low Insertion Loss
- ❖ Stable Performance Over Temperature

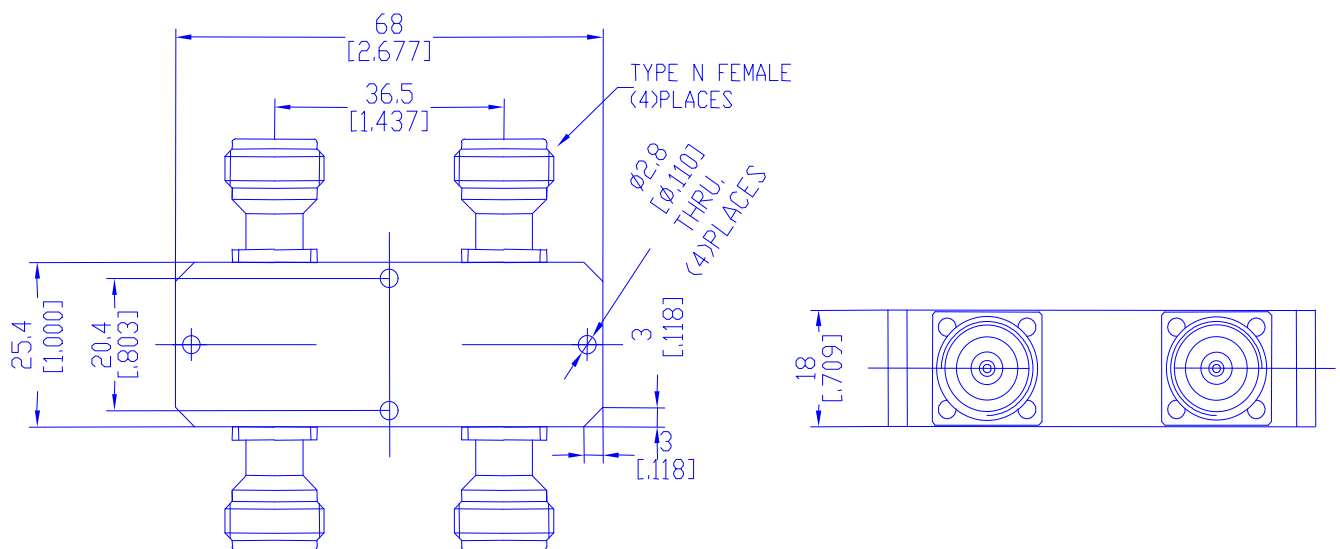
APPLICATIONS

- ❖ Commercial Wireless Communications
- ❖ Radar Systems
- ❖ Receivers Sytems
- ❖ Antenna Beam Forming
- ❖ Test Labs

SPECIFICATIONS

Parameters	Min.	Typ.	Max.	Units
Frequency Range	1.15	-	1.65	GHz
Impedance	-	50	-	Ohms
Nominal Split	-	3.01	-	dB
Insertion Loss	-	-	0.25	dB
Isolation	22	-	-	dB
Amplitude Balance	-	-	±0.25	dB
Phase Balance	-	-	±2	Deg
VSWR	-	-	1.2	:1
Average Power	-	-	400	W
Peak Power	-	-	3	kW
Operating Temperature	-40°C~+85°C			
Storage Temperature	-50°C~+105°C			
Input/Output Connectors	N female			
Weight	220g			
Surface Finishing	Black/Blue Paint			
Material	Aluminum			

Outline Drawing [mm[inch]]



Tolerances ±0.5[0.02]