

**TMHC90-02001240-125N 2.0-12.4 GHz, 125W, N Female**

**FEATURES**

- ❖ Wide Band Operation 2.0-12.4 GHz
- ❖ Power Handle Capability up to 125W
- ❖ High Isolation Across Operational Band
- ❖ Low Insertion Loss
- ❖ Stable Performance Over Temperature

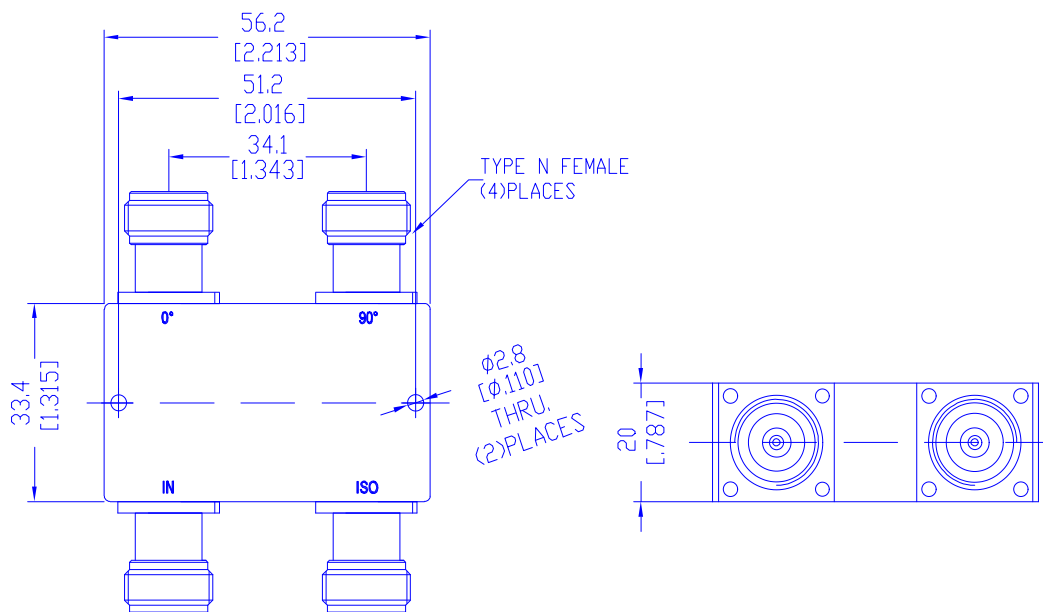
**APPLICATIONS**

- ❖ Commercial Wireless Communications
- ❖ Radar Systems
- ❖ Receivers Systems
- ❖ Antenna Beam Forming
- ❖ Test Labs

**SPECIFICATIONS**

Parameters	Min.	Typ.	Max.	Units
Frequency Range	2	-	12.4	GHz
Impedance	-	50	-	Ohms
Nominal Split	-	3.01	-	dB
Insertion Loss	-	-	1.2	dB
Isolation	13	-	-	dB
Amplitude Balance	-	-	±0.6	dB
Phase Balance	-	-	±10	Deg
VSWR	-	-	1.5	:1
Average Power	-	-	125	W
Peak Power	-	-	1	kW
Operating Temperature	-40	-	+85	°C
Storage Temperature	-50	-	+105	°C
Input/Output Connectors	N female			
Weight	140g			
Surface Finishing	Black/Blue Paint			
Material	Aluminum			

**Outline Drawing [mm[inch]]**



Tolerances ±0.5[0.02]