

TMHC90-06000750-30S 6.0-7.5 GHz, 30W, SMA Female

FEATURES

- ❖ Wide Band Operation 6-7.5 GHz
- ❖ Power Handle Capability up to 30W
- ❖ High Isolation Across Operational Band
- ❖ Low Insertion Loss
- ❖ Stable Performance Over Temperature

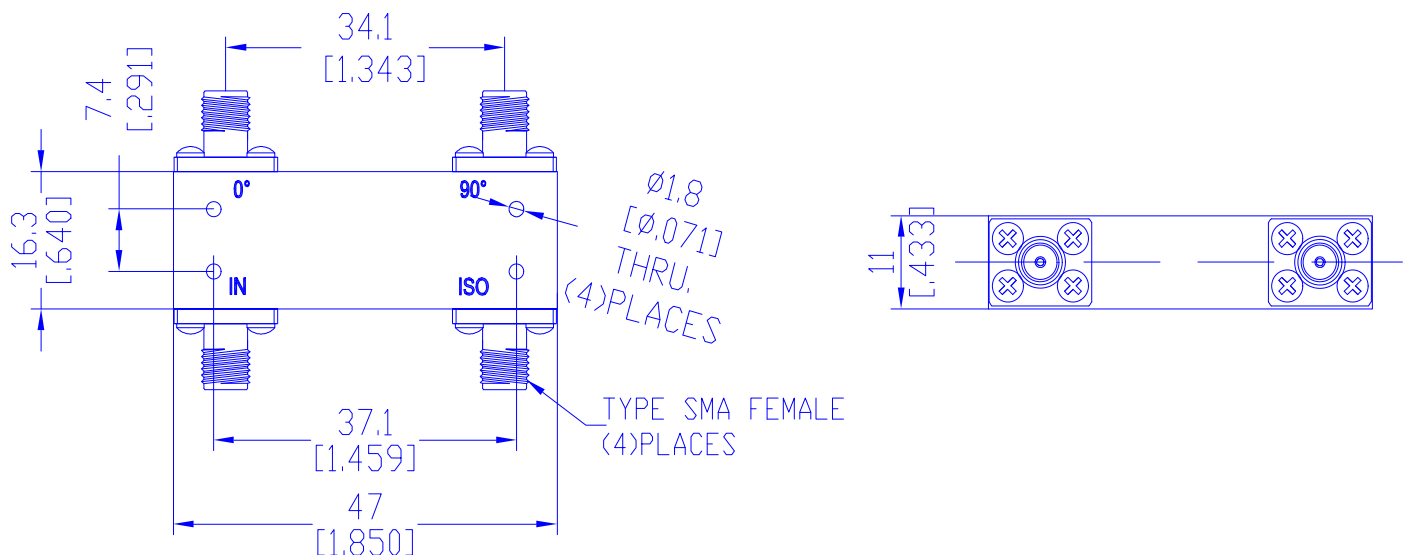
APPLICATIONS

- ❖ Commercial Wireless Communications
- ❖ Radar Systems
- ❖ Receivers Systems
- ❖ Antenna Beam Forming
- ❖ Test Labs

SPECIFICATIONS

Parameters	Min.	Typ.	Max.	Units
Frequency Range	6	-	7.5	GHz
Impedance	-	50	-	Ohms
Nominal Split	-	3.01	-	dB
Insertion Loss	-	-	0.7	dB
Isolation	18	-	-	dB
Amplitude Balance	-	-	±0.5	dB
Phase Balance	-	-	±3	Deg
VSWR	-	-	1.3	:1
Average Power	-	-	30	W
Peak Power	-	-	1	kW
Operating Temperature	-40	-	+85	°C
Storage Temperature	-50	-	+105	°C
Input/Output Connectors	SMA female			
Weight	20g			
Surface Finishing	Black/Blue Paint			
Material	Aluminum			

Outline Drawing [mm[inch]]



Tolerances ± 0.5 [0.02]