

**TMDC-10004000-6K30 10-40 GHz, 6dB, 30W, 2.92mm Female**

**FEATURES**

- ❖ Band Operation 10-40 GHz
- ❖ Power Handle Capability up to 30W
- ❖ 6 dB Typical Coupling
- ❖ Low Insertion Loss

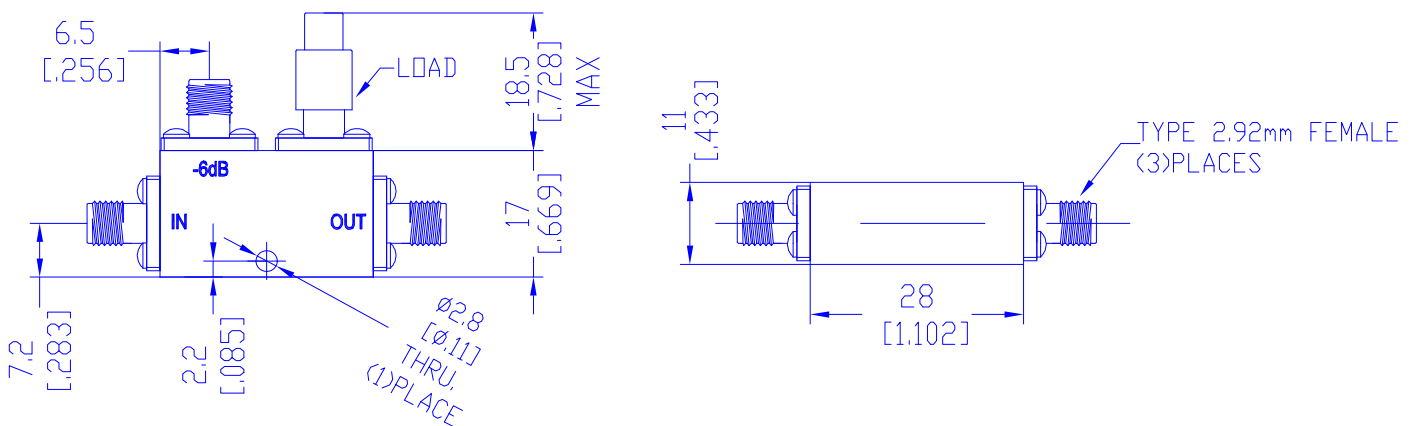
**APPLICATIONS**

- ❖ Frequency Measurements
- ❖ Signal Levelling, Signal Sampling
- ❖ Signal Injection
- ❖ Reflection Coefficient Measurements
- ❖ Measure incident and reflected power to determine VSWR

**SPECIFICATIONS**

Parameters	Min.	Typ.	Max.	Units
Frequency Range	10	-	40	GHz
Impedance	-	50	-	Ohms
Nominal Coupling	5	6	7	dB
Frequency Sensitivity	-	-	±1.0	dB
Directivity	10	-	-	dB
Insertion Loss(Excluding coupling loss 1.26dB)	-	-	1.5	dB
VSWR Primary	-	-	1.7	:1
VSWR Secondary	-	-	1.7	:1
Average Power	-	-	30	W
Operating Temperature	-45	-	+85	°C
Storage Temperature	-50	-	+105	°C
Input/Output Connectors	2.92mm female			
Weight	30g			
Surface Finishing	Black/Blue Paint			
Material	Aluminum			

**Outline Drawing [mm[inch]]**



Tolerances ±0.5[0.02]