

TMDC-00504000-13K20 0.5-40 GHz, 13dB, 20W, 2.92mm Female

FEATURES

- ❖ Wide Band Operation 0.5-40 GHz
- ❖ High Power Handle Capability up to 20W
- ❖ 13 dB Nominal Coupling
- ❖ Low Insertion Loss

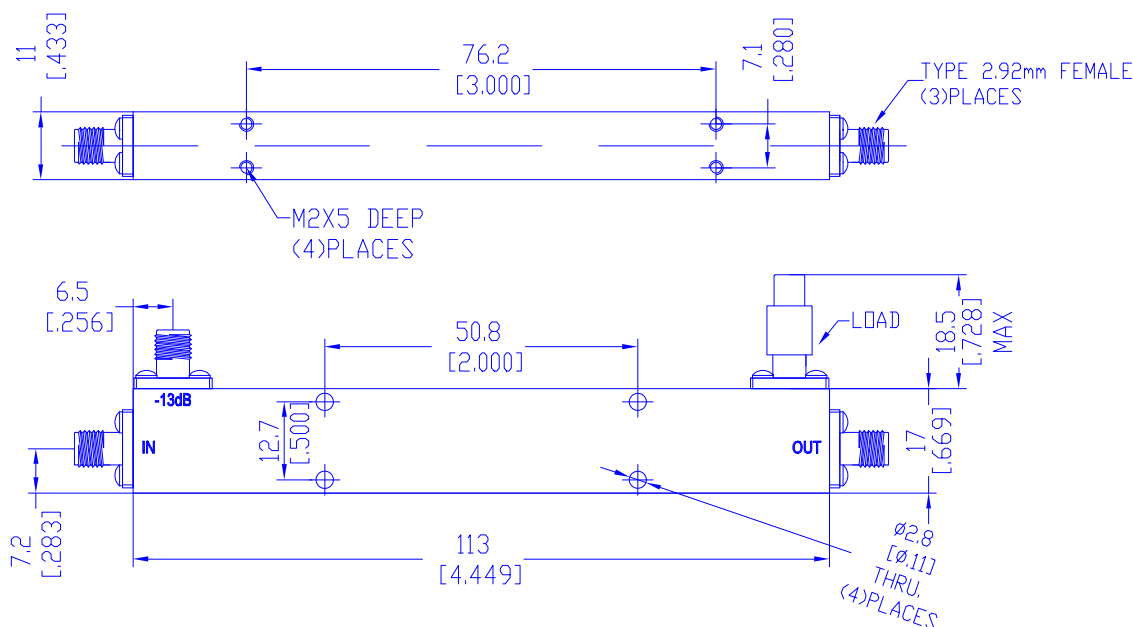
APPLICATIONS

- ❖ Frequency Measurements
- ❖ Signal Levelling, Signal Sampling
- ❖ Signal Injection
- ❖ Reflection Coefficient Measurements
- ❖ Measure incident and reflected power to determine VSWR

SPECIFICATIONS

Parameters	Min.	Typ.	Max.	Units
Frequency Range	0.5	-	40	MHz
Impedance	-	50	-	Ohms
Nominal Coupling	12	13	14	dB
Frequency Sensitivity	-	-	±1.2	dB
Directivity	9	-	-	dB
Insertion Loss(Excluding coupling loss 0.22dB)	-	-	2.8	dB
VSWR Primary	-	-	1.6	:1
VSWR Secondary	-	-	1.6	:1
Average Power	20			W
Peak Power	-			kW
Operating Temperature	-40°C~+85°C			
Storage Temperature	-50°C~+105°C			
Input/Output Connectors	2.92mm-Female			
Weight	70g			
Surface Finishing	Black/Blue Plated			
Material	Aluminum			

Outline Drawing [mm[inch]]



Tolerances ±0.5[0.02]