

TMDC-00504000-10K20A 0.5-40 GHz, 10dB, 20W, 2.92mm Female

FEATURES

- ❖ Wide Band Operation 0.5-40 GHz
- ❖ Power Handle Capability up to 20W
- ❖ 10 dB Typical Coupling
- ❖ Low Insertion Loss

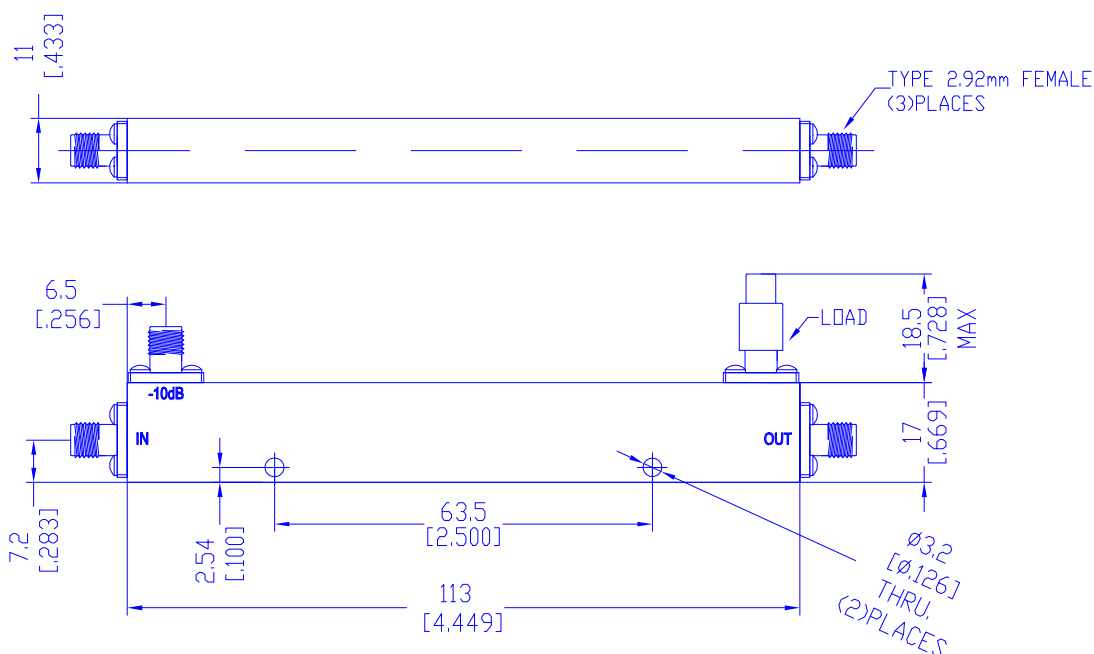
APPLICATIONS

- ❖ Frequency Measurements
- ❖ Signal Levelling, Signal Sampling
- ❖ Signal Injection
- ❖ Reflection Coefficient Measurements
- ❖ Measure incident and reflected power to determine VSWR

SPECIFICATIONS

Parameters	Min.	Typ.	Max.	Units
Frequency Range	0.5	-	40	GHz
Impedance	-	50	-	Ohm
Nominal Coupling	9	10	11	dB
Frequency Sensitivity	-	-	1.1	dB
Directivity	9	-	-	dB
Insertion Loss(Excluding coupling loss 0.46dB)	-	-	3.0	dB
VSWR Primary	-	-	1.6	:1
VSWR Secondary	-	-	1.6	:1
Power Handling	Incident	-	20	W
	Reflected	-	1	W
Operating Temperature	-55	-	+85	°C
Input/Output Connectors	2.92mm-Female			
Connector Body	Passivated Stainless Steel			
Connector Pin	Beryllium Copper, Gold Plate			
Weight	80g			
Surface Finishing	Black/Blue Paint			
Material	Aluminum			

Outline Drawing [mm[inch]]



Tolerances ±0.5[0.02]