

TMLA-1M500M-1515-30 1-500 MHz, 15dB, P1dB 15dBm, N.F. 3.0dB

FEATURES

- ❖ Wide Band Operation 1-500 MHz
- ❖ Gain 15dB Minimum
- ❖ P1dB Output Power +15dBm Minimum
- ❖ Supply Voltage +15Vdc

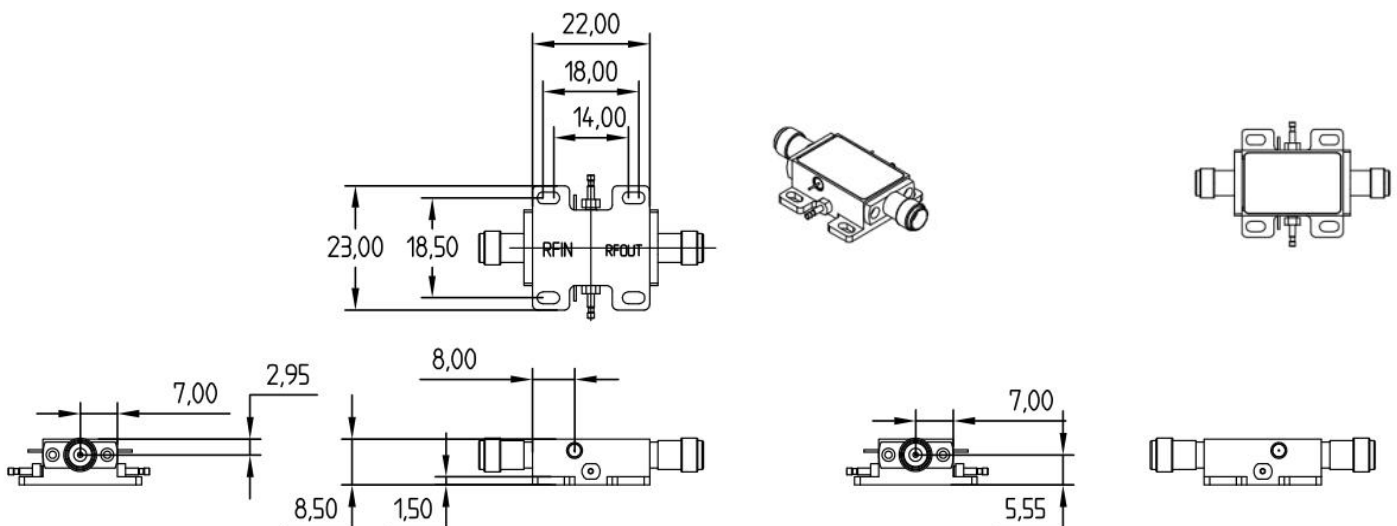
APPLICATIONS

- ❖ Wireless Infrastructure
- ❖ Test and Measurement Instrument
- ❖ Radar and EW Systems
- ❖ Satellite Receiver

SPECIFICATIONS

Parameters	Min.	Typ.	Max.	Units
Frequency Range	1	-	500	MHz
Impedance	-	50	-	Ohms
Gain	15	18	-	dB
Gain Flatness	-	±1.0	-	dB
Noise Figure	-	3.0	-	dB
Spurious	-	-	-60	dBc
VSWR	-	1.5	1.8	:1
Output 1dB Compression Point(P1dB)	15	-	-	dBm
Output Third Order Intercept (OIP3)	-	+35	-	dBm
Supply Voltage	-	+15	-	V
Supply Current	-	120	-	mA
RF Input Power	-	-	+5	dBm
Operating Temperature	-40	-	+60	°C
Storage Temperature	-40	-	+85	°C
Humidity	-	95	-	%
Input/Output Connectors	SMA-Male			
Size	22mm×23mm×8.5mm			
Material	Aluminum			

Outline Drawing [mm]



Tolerances ±0.1[0.004]