

TDDC-00701200-20S20 0.7-12 GHz, 20dB, 20W, SMA Female

FEATURES

- ❖ Wide Band Operation 0.7-12 GHz
- ❖ Power Handle Capability up to 20W
- ❖ 20 dB Typical Coupling
- ❖ Low Insertion Loss

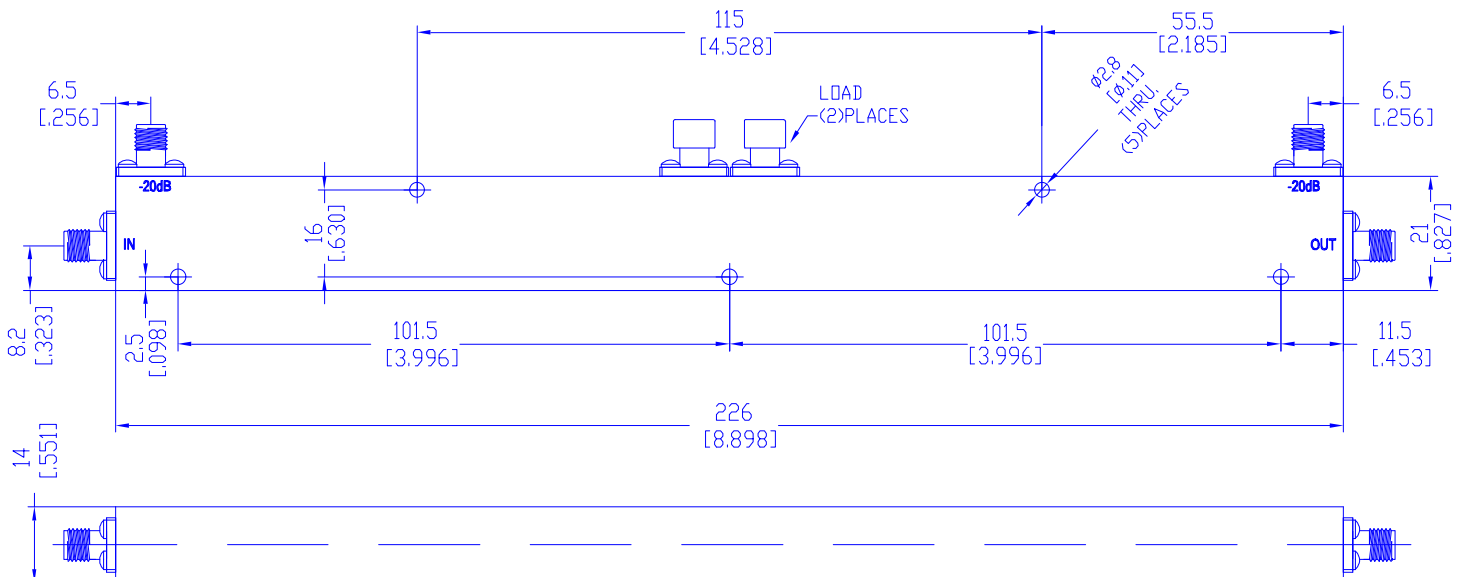
APPLICATIONS

- ❖ Frequency Measurements
- ❖ Signal Levelling, Signal Sampling
- ❖ Signal Injection
- ❖ Reflection Coefficient Measurements
- ❖ Measure incident and reflected power to determine VSWR

SPECIFICATIONS

Parameters	Min.	Typ.	Max.	Units
Frequency Range	0.7	-	12	GHz
Impedance	-	50	-	Ohms
Nominal Coupling	19.2	20	20.8	dB
Frequency Sensitivity	-	-	±0.8	dB
Directivity	17	-	-	dB
Insertion Loss(Excluding coupling loss 0.08dB)	-	-	1.6	dB
VSWR Primary	-	-	1.3	:1
VSWR Secondary	-	-	1.3	:1
Power Handling	Incident	-	20	W
	Reflected	-	2	W
Operating Temperature	-40	-	+85	°C
Storage Temperature	-50	-	+105	°C
Input/Output Connectors	SMA-Female			
Weight	200g			
Dimensions	226mm×21mm×14mm			
Surface Finishing	Black/Blue Paint			
Material	Aluminum			

Outline Drawing [mm[inch]]



Tolerances ±0.5[0.02]