

**TDDC-02002650-20K20 2.0-26.5 GHz, 20dB, 20W, 2.92mm Female**

**FEATURES**

- ❖ Wide Band Operation 2.0-26.5 GHz
- ❖ Power Handle Capability up to 20W
- ❖ 20 dB Typical Coupling
- ❖ Low Insertion Loss

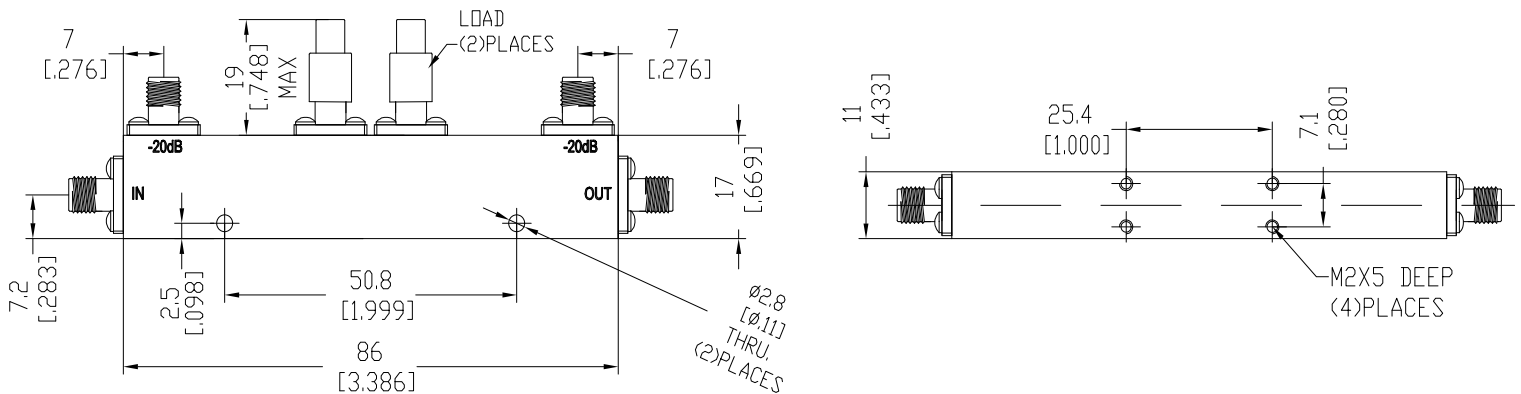
**APPLICATIONS**

- ❖ Frequency Measurements
- ❖ Signal Levelling, Signal Sampling
- ❖ Signal Injection
- ❖ Reflection Coefficient Measurements
- ❖ Measure incident and reflected power to determine VSWR

**SPECIFICATIONS**

Parameters	Min.	Typ.	Max.	Units
Frequency Range	2	-	26.5	GHz
Impedance	-	50	-	Ohms
Nominal Coupling	19	20	21	dB
Frequency Sensitivity	-	-	±1.2	dB
Directivity	12	-	-	dB
Insertion Loss(Excluding coupling loss 0.08dB)	-	-	2.4	dB
VSWR Primary	-	-	1.5	:1
VSWR Secondary	-	-	1.5	:1
Power Handling	Incident	-	20	W
	Reflected	-	20	W
Operating Temperature	-40	-	+85	°C
Storage Temperature	-50	-	+105	°C
Input/Output Connectors	2.92mm-Female			
Weight	60g			
Dimensions	86mm × 17mm × 11mm			
Surface Finishing	Black/Blue Paint			
Material	Aluminum			

**Outline Drawing [mm[inch]]**



Tolerances ±0.5[0.02]