

TDDC-04002000-10S5 4-20 GHz, 10dB, 5W, SMA Female

FEATURES

- ❖ Wide Band Operation 4-20 GHz
- ❖ Power Handle Capability up to 5W
- ❖ 10 dB Typical Coupling
- ❖ Low Insertion Loss

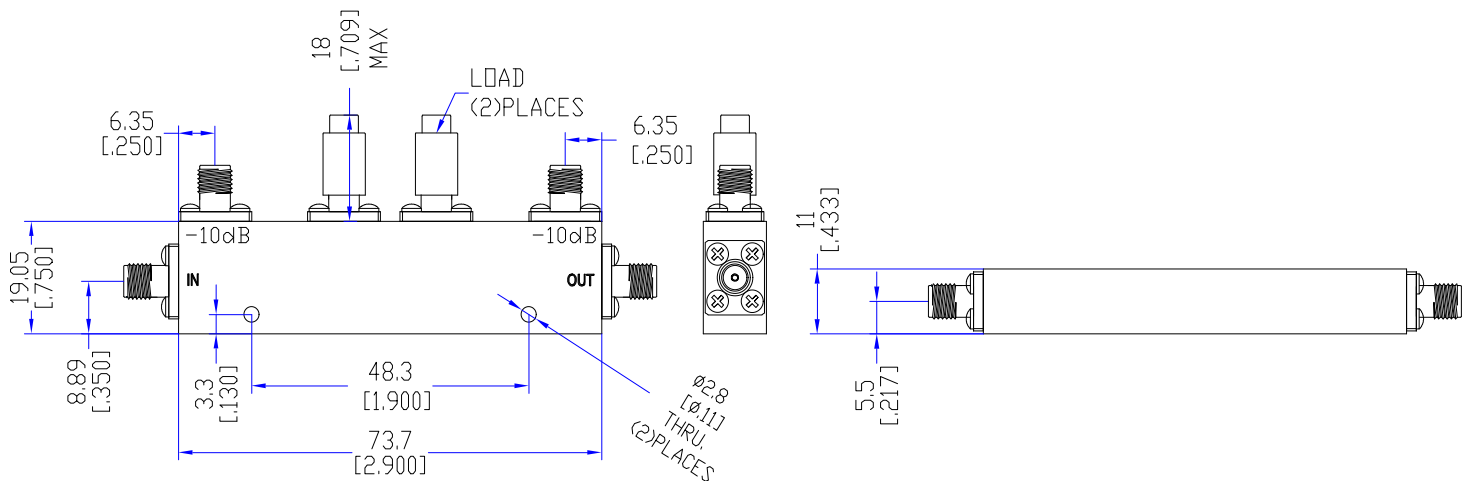
APPLICATIONS

- ❖ Frequency Measurements
- ❖ Signal Levelling, Signal Sampling
- ❖ Signal Injection
- ❖ Reflection Coefficient Measurements
- ❖ Measure incident and reflected power to determine VSWR

SPECIFICATIONS

Parameters	Min.	Typ.	Max.	Units
Frequency Range	4	-	20	GHz
Impedance	-	50	-	Ohms
Nominal Coupling	9	10	11	dB
Frequency Sensitivity	-	-	±1.0	dB
Directivity	12	-	-	dB
Insertion Loss(Excluding coupling loss 0.92dB)	-	-	2.0	dB
VSWR Primary	-	-	1.5	:1
VSWR Secondary	-	-	1.5	:1
Power Handling	Incident	-	5	W
	Reflected	-	5	W
Operating Temperature	-40	-	+85	°C
Storage Temperature	-50	-	+105	°C
Input/Output Connectors	SMA-Female			
Weight	60g			
Dimensions	73.7mm×19.05mm×11mm			
Surface Finishing	Black/Blue Paint			
Material	Aluminum			

Outline Drawing [mm][inch]



Tolerances ±0.5[0.02]