

TDDC-15001800-20S30 15-18 GHz, 20dB, 30W, SMA Female

FEATURES

- ❖ Wide Band Operation 15-18 GHz
- ❖ Power Handle Capability up to 30W
- ❖ 20 dB Typical Coupling
- ❖ Low Insertion Loss

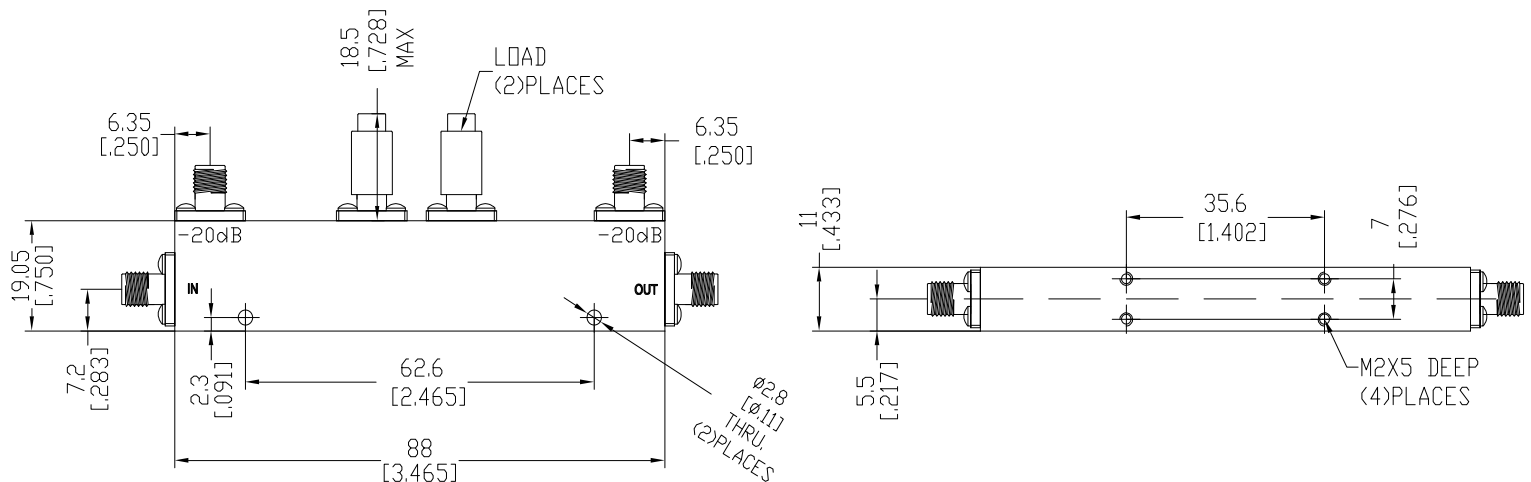
APPLICATIONS

- ❖ Frequency Measurements
- ❖ Signal Levelling, Signal Sampling
- ❖ Signal Injection
- ❖ Reflection Coefficient Measurements
- ❖ Measure incident and reflected power to determine VSWR

SPECIFICATIONS

Parameters	Min.	Typ.	Max.	Units
Frequency Range	15	-	18	GHz
Impedance	-	50	-	Ohms
Nominal Coupling	19	20	21	dB
Frequency Sensitivity	-	-	±1.0	dB
Directivity	16	-	-	dB
Insertion Loss(Excluding coupling loss 0.08dB)	-	-	1.5	dB
VSWR Primary	-	-	1.4	:1
VSWR Secondary	-	-	1.4	:1
Power Handling	Incident	-	30	W
	Reflected	-	30	W
Operating Temperature	-40	-	+85	°C
Storage Temperature	-50	-	+105	°C
Input/Output Connectors	SMA-Female			
Weight	70g			
Dimensions	88mm×19.05mm×11mm			
Surface Finishing	Black/Blue Paint			
Material	Aluminum			

Outline Drawing [mm]



Tolerances ± 0.5 [0.02]