

TMPA-00800600-4339 0.8-6 GHz, 43dB, Psat 39dBm, SMA female

FEATURES

- ❖ Gain 43dB Typical
- ❖ Saturated Output Power +39dBm Typical
- ❖ P1dB Output Power +37dBm Minimum
- ❖ Supply Voltage +28V

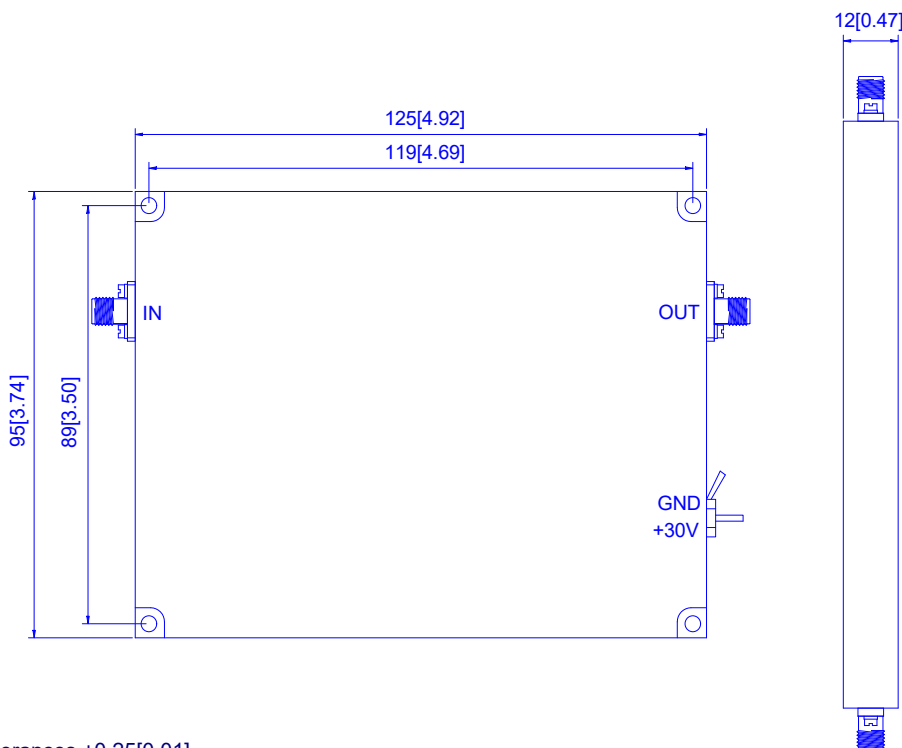
APPLICATIONS

- ❖ Wireless Infrastructure
- ❖ 5G Communication
- ❖ Test and Measurement Instrument
- ❖ Radar and Receivers Systems

SPECIFICATIONS

Parameters	Min.	Typ.	Max.	Units
Frequency Range	0.8	-	6	GHz
Impedance	-	50	-	Ohms
Small Signal Gain	40	43	-	dB
Gain Flatness	-	±3.0	±3.5	dB
Input VSWR	-	1.5	2.5	:1
Output 1dB Compression Point(P1dB)	37	38	-	dBm
Saturated Output Power(Psat)	-	39	-	dBm
Harmonic Rejection	13	15	-	dB
Spurious	-	-60	-	dBc
RF Input Power(No damage)	-	-	+8	dBm
Supply Current(Vcc=+28V)@(Pout=7W)	-	800	1500	mA
Operating Temperature	-30	-	+70	°C
Storage Temperature	-45	-	+85	°C
Input/Output Connectors	SMA-Female			
Dimension	125mm×95mm×12mm			
Material	Aluminum			

Outline Drawing [mm[inch]]



Absolute Maximum Ratings

Operating Voltage	+30V
RF Input Power	+10dBm

Note: *Heatsink required when operation.*

Tolerances ±0.25[0.01]