

TMPA-00301800-2216 0.3-18.0 GHz, 22dB, Psat 16dBm, SMA female

FEATURES

- ❖ Small Signal Gain 22dB Minimum
- ❖ Supply Voltage +12V
- ❖ Wide Bandwidth
- ❖ Low Power Consumption

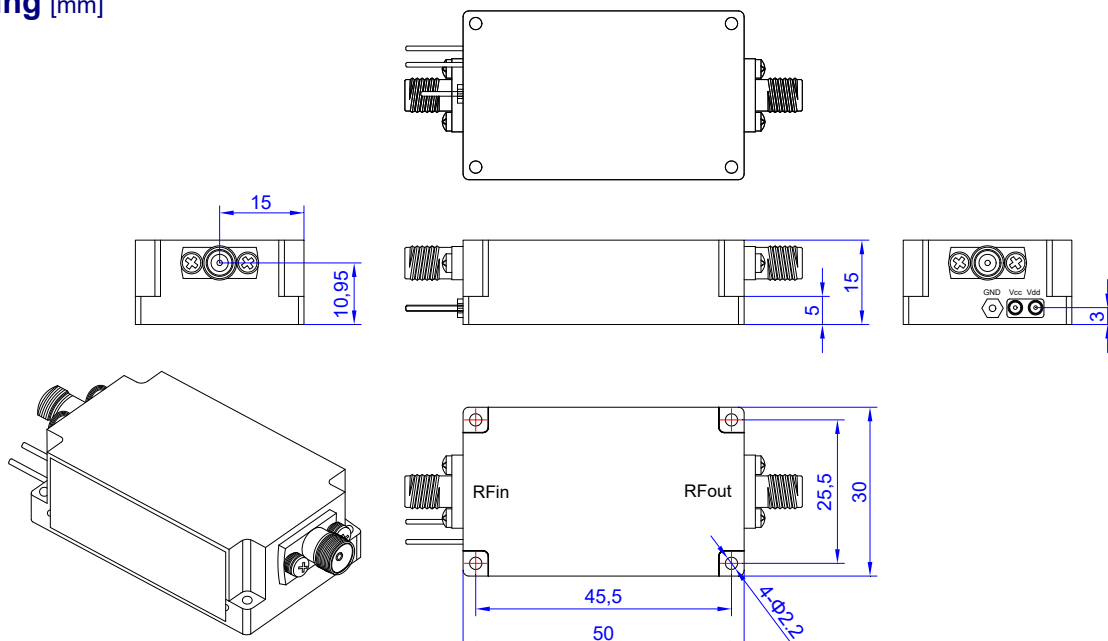
APPLICATIONS

- ❖ Wireless Infrastructure
- ❖ 5G Communication
- ❖ Test and Measurement Instrument
- ❖ Radar and Receivers Systems

SPECIFICATIONS

Parameters	Min.	Typ.	Max.	Units
Frequency Range	0.3	-	18	GHz
Impedance	-	50	-	Ohms
Small Signal Gain	22	-	-	dB
Gain Flatness	-	±2.0	-	dB
Saturated Output Power(Psat)	-	16	-	dBm
RF Input Power	-	-	10	dBm
Input VSWR	-	1.5	-	:1
Output VSWR	-	2.0	-	:1
Spurious	-	-	-60	dBc
Harmonics	-	-15	-	dBc
DC Power Supply	-	+12	-	V
Supply Current	-	150	-	mA
Operating Temperature	-20	-	+50	°C
Storage Temperature	-45	-	+85	°C
Relative Humidity(non-condensing)	-	95	-	%
Input/Output Connectors	SMA-Female			
Weight	200g			
Dimension	50×30×15mm			
Material	Aluminum			

Outline Drawing [mm]



Tolerances ±0.25[0.01]