

**TMPA-00700400-3027 0.7-4.0 GHz, 30dB, P1dB 27dBm, SMA female**

**FEATURES**

- ❖ Small Signal Gain 30dB Minimum
- ❖ Supply Voltage +15V
- ❖ Wide Bandwidth
- ❖ Low Power Consumption

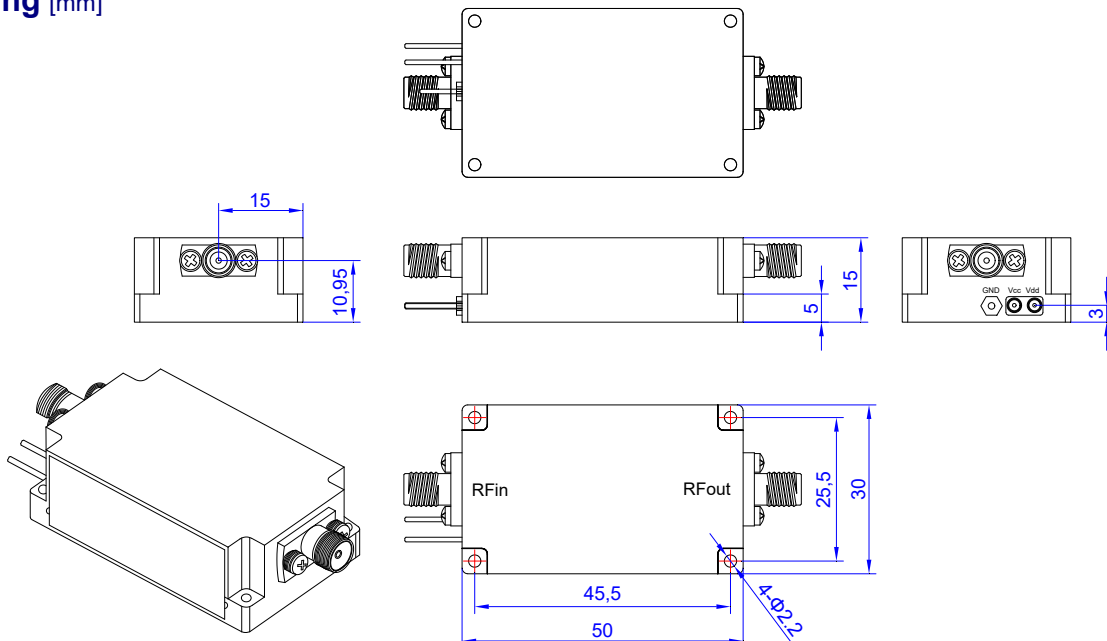
**APPLICATIONS**

- ❖ Wireless Infrastructure
- ❖ 5G Communication
- ❖ Test and Measurement Instrument
- ❖ Radar and Receivers Systems

**SPECIFICATIONS**

Parameters	Min.	Typ.	Max.	Units
Frequency Range	0.7	-	4	GHz
Impedance	-	50	-	Ohms
Small Signal Gain	30	-	-	dB
Gain Flatness	-	-	±1.0	dB
Output Power@P1dB	27	-	-	dBm
Output Third Order Intercept Point	35	-	-	dBm
Input VSWR	-	-	2.5	:1
Output VSWR	-	-	2.5	:1
Noise Figure	-	-	10	dB
DC Power Supply	-	+15	-	V
Supply Current	-	-	1	A
Operating Temperature	0	-	+65	°C
Storage Temperature	-40	-	+70	°C
Relative Humidity(non-condensing)	-	95	-	%
Altitude(MIL-STD-810F)	-	-	10000	Feet
Shock/Vibration(MIL-STD-810F)	-	Airbone	-	-
Input/Output Connectors	SMA-Female			
Weight	120g			
Dimension	50×30×15mm			
Material	Aluminum			

**Outline Drawing [mm]**



Tolerances ±0.25[0.01]