

TMPA-01001000-3008 1-10 GHz, 30dB, Psat 8dBm, SMA female

FEATURES

- ❖ Small Signal Gain 30dB Minimum
- ❖ Supply Voltage +8V
- ❖ Wide Bandwidth
- ❖ Low Power Consumption

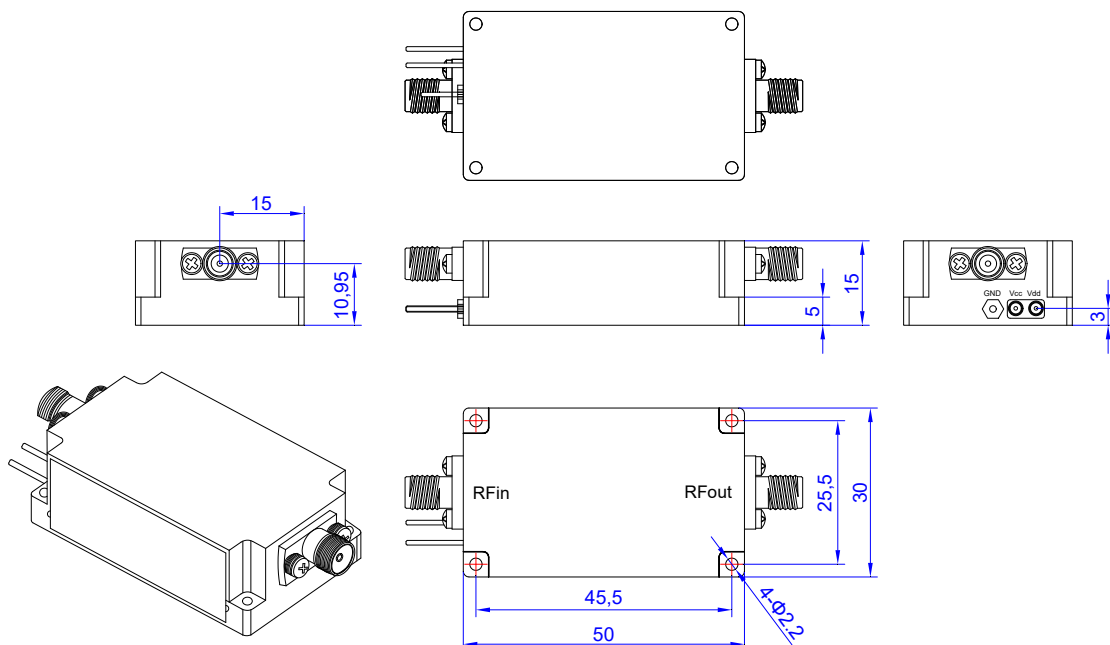
APPLICATIONS

- ❖ Wireless Infrastructure
- ❖ 5G Communication
- ❖ Test and Measurement Instrument
- ❖ Radar and Receivers Systems

SPECIFICATIONS

Parameters	Min.	Typ.	Max.	Units
Frequency Range	1	-	10	GHz
Impedance	-	50	-	Ohms
Small Signal Gain	30	-	-	dB
Saturated Output Power(Psat)	8	-	-	dBm
RF Input Power	-	-	-10	dBm
Input/Output VSWR	-	2.0	-	:1
Noise Figure	-	-	2	dB
DC Power Supply	-	+8	-	V
Operating Temperature	-20	-	+60	°C
Storage Temperature	-40	-	+85	°C
Relative Humidity(non-condensing)	-	95	-	%
Altitude(MIL-STD-810F)	-	-	-	Feet
Shock/Vibration(MIL-STD-810F)	-	Airbone	-	-
Input/Output Connectors	2.92mm-Female			
Weight	200g			
Dimension	50×30×15mm			
Material	Aluminum			

Outline Drawing [mm]



Tolerances ±0.25[0.01]