

Datasheet

Model Number : R-WR1800-NF

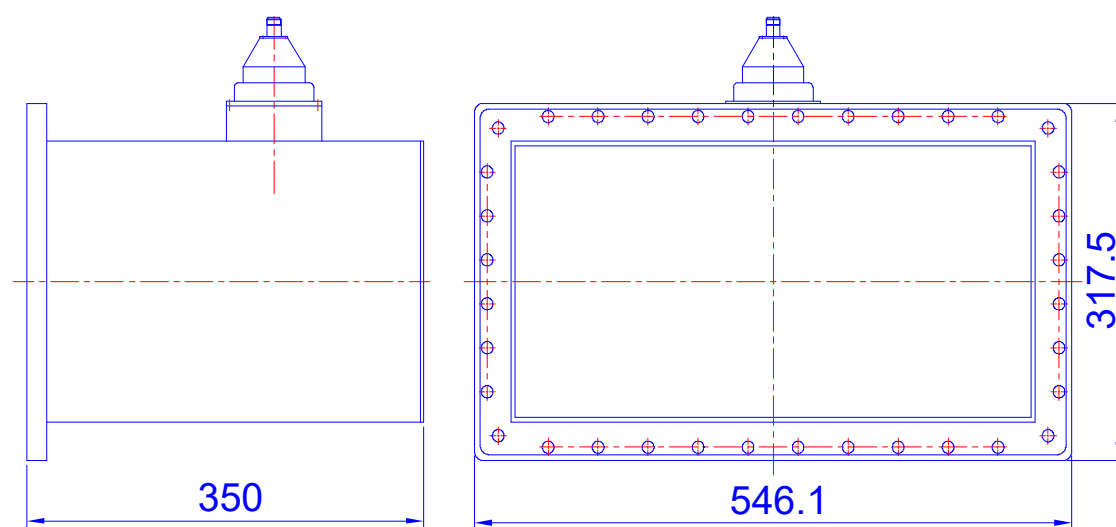
Waveguide to Coaxial Adapter

Right Angle, 0.41~0.62 GHz, WR1800 to N-Female

Specifications

Frequency Range	0.41-0.62 GHz
Waveguide Type	WR1800
Flange Type	FDP5 (Cover)
RF Connector	N-Female
VSWR	1.3 max
Material	Aluminum
Inside Finishing	Chromate Conversion
Surface Finishing	Anti-Corrosive Grey Paint
Temperature Range	-40°C~+70°C
RoHS Status	RoHS Compliant

Outline Drawings [mm]:



Datasheet

Model Number : R-WR1800-NF

Waveguide to Coaxial Adapter

Right Angle, 0.41~0.62 GHz, WR1800 to N-Female

Outline Drawings [mm]:

