

Datasheet

Model Number : R-WR2100-NF

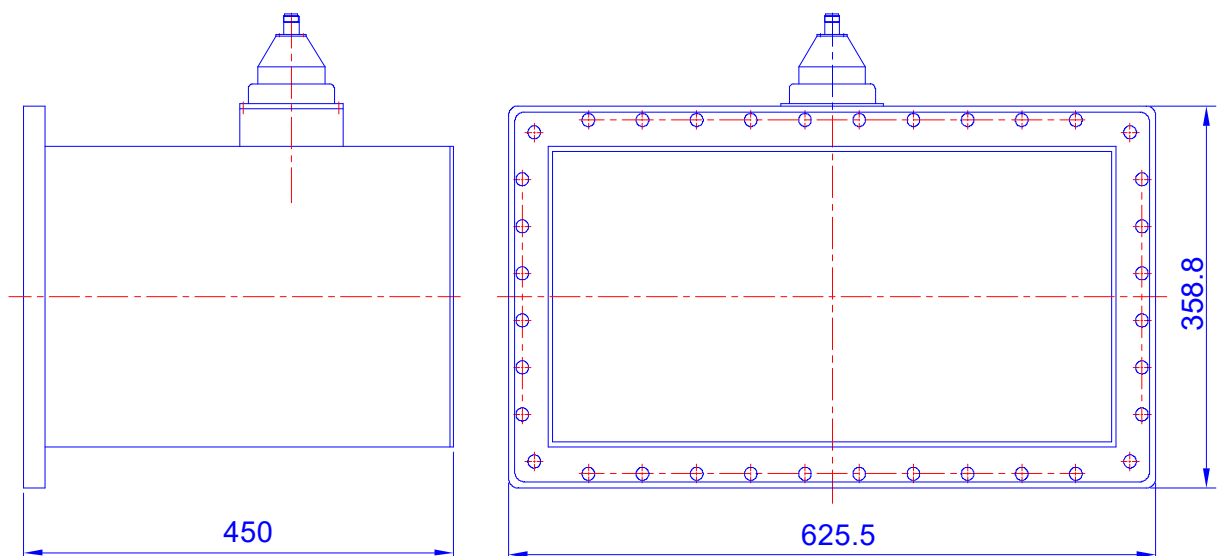
Waveguide to Coaxial Adapter

Right Angle, 0.35~0.53 GHz, WR2100 to N-Female

Specifications

Frequency Range	0.35-053 GHz
Waveguide Type	WR2100
Flange Type	FDP4 (Cover)
RF Connector	N-Female
VSWR	1.3 max
Material	Aluminum
Inside Finishing	Chromate Conversion
Surface Finishing	Anti-Corrosive Grey Paint
Temperature Range	-40°C~+70°C
RoHS Status	RoHS Compliant

Outline Drawings [mm]:



Datasheet

Model Number : R-WR2100-NF

Waveguide to Coaxial Adapter

Right Angle, 0.35~0.53 GHz, WR2100 to N-Female

Outline Drawings [mm]:

