

TMDC-17002000-30K30 17-20 GHz, 30dB, 30W, 2.92mm Female

FEATURES

- ❖ Wide Band Operation 17-20 GHz
- ❖ Power Handle Capability up to 30W
- ❖ 30 dB Typical Coupling
- ❖ Low Insertion Loss

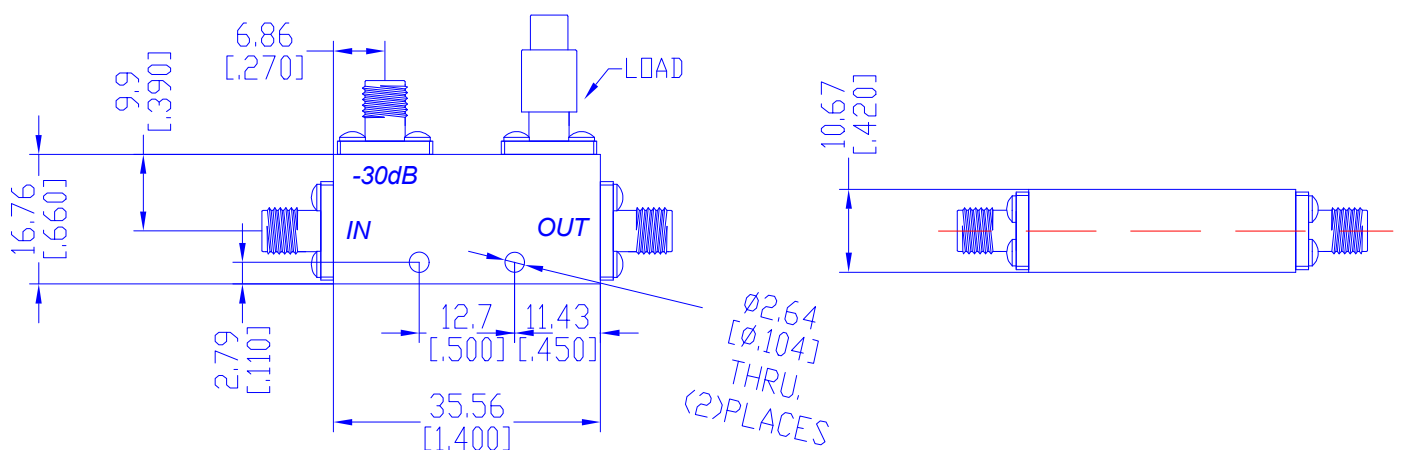
APPLICATIONS

- ❖ Frequency Measurements
- ❖ Signal Levelling, Signal Sampling
- ❖ Signal Injection
- ❖ Reflection Coefficient Measurements
- ❖ Measure incident and reflected power to determine VSWR

SPECIFICATIONS

Parameters	Min.	Typ.	Max.	Units
Frequency Range	17	-	20	GHz
Impedance	-	50	-	Ohms
Nominal Coupling	29	30	31	dB
Frequency Sensitivity	-	-	±0.5	dB
Directivity	16	-	-	dB
Insertion Loss	-	-	0.6	dB
VSWR Primary	-	-	1.4	:1
VSWR Secondary	-	-	1.4	:1
Power Handling	Incident	-	30	W
	Reflected	-	30	W
Operating Temperature	-55	-	+85	°C
Input/Output Connectors	2.92mm-Female			
Connector Body	Passivated Stainless Steel			
Size	35.56mm × 16.76mm × 10.67mm			
Weight	30g			
Surface Finishing	Black/Blue Paint			
Material	Aluminum			

Outline Drawing [mm[inch]]



Tolerances ±0.5[0.02]