

**TDDC-01000600-40N50A 1-6 GHz, 40dB, 50W, N Female**

**FEATURES**

- ❖ Wide Band Operation 1-6 GHz
- ❖ Power Handle Capability up to 50W
- ❖ 40 dB Typical Coupling
- ❖ Low Insertion Loss

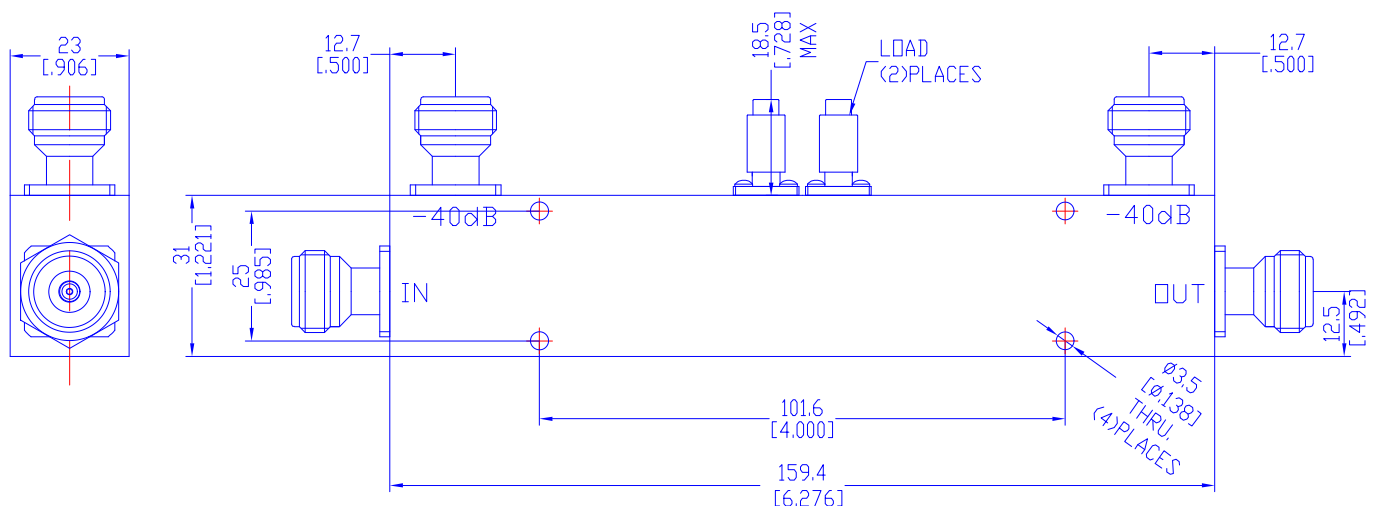
**APPLICATIONS**

- ❖ Frequency Measurements
- ❖ Signal Levelling, Signal Sampling
- ❖ Signal Injection
- ❖ Reflection Coefficient Measurements
- ❖ Measure incident and reflected power to determine VSWR

**SPECIFICATIONS**

Parameters	Min.	Typ.	Max.	Units
Frequency Range	1	-	6	GHz
Impedance	-	50	-	Ohms
Nominal Coupling	39	40	41	dB
Frequency Sensitivity	-	-	±1.0	dB
Directivity	10	-	-	dB
Insertion Loss(Excluding coupling loss 0.01dB)	-	-	0.6	dB
VSWR Primary	-	1.2	1.3	:1
VSWR Secondary	-	1.2	1.3	:1
Power Handling	Incident	-	50	W
	Reflected	-	50	W
Operating Temperature	-45	-	+85	°C
Storage Temperature	-50	-	+105	°C
Input/Output Connectors	N-Female			
Weight	350g			
Surface Finishing	Black/Blue Paint			
Material	Aluminum			

**Outline Drawing [mm]**



Tolerances ±0.5[0.02]