

TMHC90-00410046-60N 410-460 MHz, 60W, N Female

FEATURES

- ❖ Wide Band Operation 410-460 MHz
- ❖ Power Handle Capability up to 60W
- ❖ High Isolation Across Operational Band
- ❖ Low Insertion Loss
- ❖ Stable Performance Over Temperature

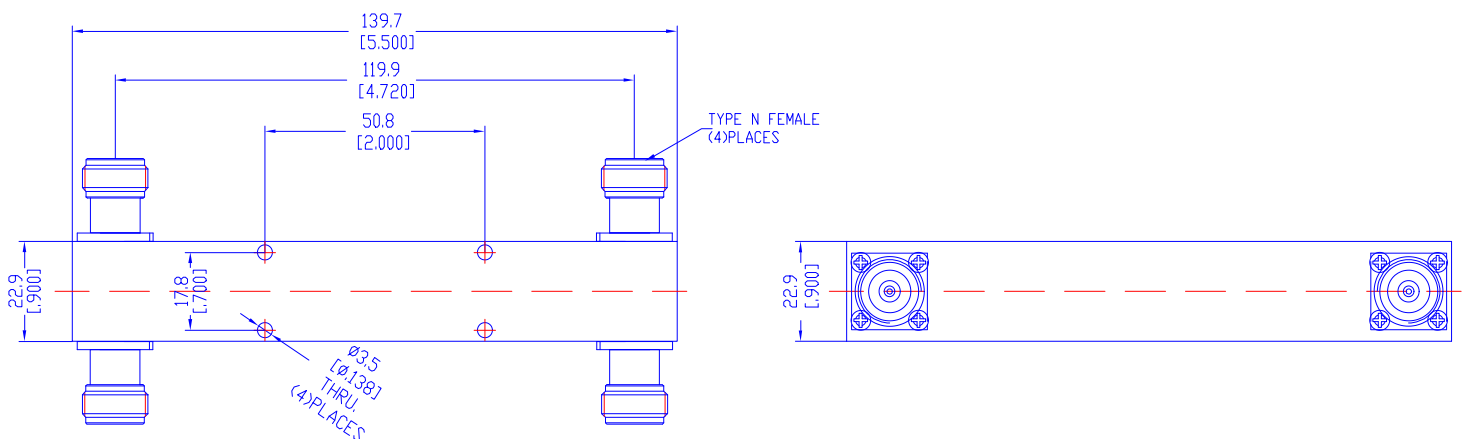
APPLICATIONS

- ❖ Commercial Wireless Communications
- ❖ Radar Systems
- ❖ Receivers Systems
- ❖ Antenna Beam Forming
- ❖ Test Labs

SPECIFICATIONS

| Parameters | Min. | Typ. | Max. | Units |
|-------------------------|------------------|------|------|-------|
| Frequency Range | 410 | - | 460 | MHz |
| Impedance | - | 50 | - | Ohms |
| Nominal Split | - | 3.01 | - | dB |
| Insertion Loss | - | - | 0.3 | dB |
| Isolation | 25 | - | - | dB |
| Amplitude Balance | - | - | ±0.2 | dB |
| Phase Balance | - | - | ±3 | Deg |
| VSWR | - | - | 1.2 | :1 |
| Average Power | - | - | 60 | W |
| Peak Power | - | - | 3 | kW |
| Operating Temperature | -40 | - | +85 | °C |
| Storage Temperature | -50 | - | +105 | °C |
| Input/Output Connectors | N-Female | | | |
| Weight | 270g | | | |
| Surface Finishing | Black/Blue Paint | | | |
| Material | Aluminum | | | |

Outline Drawing [mm[inch]]



Tolerances ±0.5[0.02]