

TDDC-00300600-20N30 0.3-6.0 GHz, 20dB, 30W, N Female

FEATURES

- ❖ Wide Band Operation 0.3-6.0 GHz
- ❖ High Power Handle Capability up to 30W
- ❖ 20 dB Nominal Coupling
- ❖ Low Insertion Loss

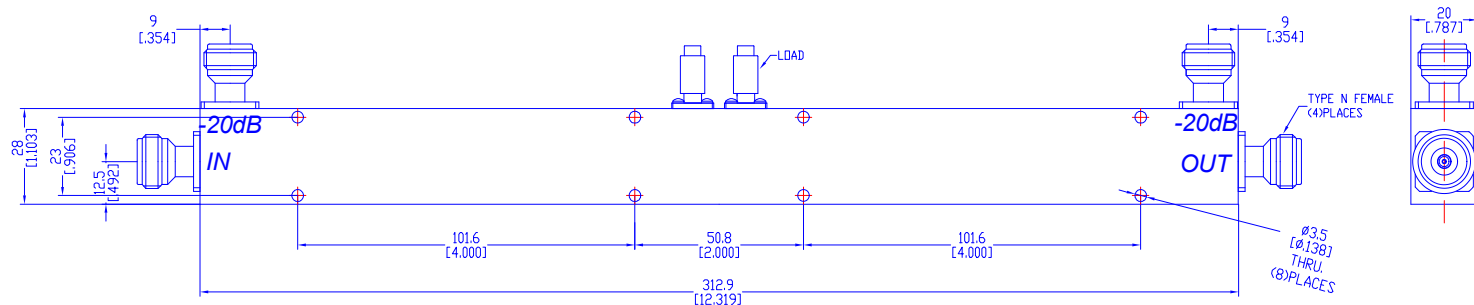
APPLICATIONS

- ❖ Frequency Measurements
- ❖ Signal Levelling, Signal Sampling
- ❖ Signal Injection
- ❖ Reflection Coefficient Measurements
- ❖ Measure incident and reflected power to determine VSWR

SPECIFICATIONS

Parameters	Min.	Typ.	Max.	Units
Frequency Range	0.3	-	6	MHz
Impedance	-	50	-	Ohms
Nominal Coupling	19	20	21	dB
Frequency Sensitivity	-	-	±1.5	dB
Directivity	10	-	-	dB
Insertion Loss(Excluding coupling loss 0.08dB)	-	-	1.4	dB
VSWR Primary	-	-	1.4	:1
VSWR Secondary	-	-	1.4	:1
Power Handling	Incident	-	30	W
	Reflected	-	30	W
Operating Temperature	-25	-	+65	°C
Input/Output Connectors	N-Female			
Weight	550g			
Surface Finishing	Black/Blue Plated			
Material	Aluminum			

Outline Drawing [mm[inch]]



Tolerances ±0.5[0.02]