

TMHC180-00410046-30N 410-460 MHz, 30W, N Female

FEATURES

- ❖ Wide Band Operation 410-460 MHz
- ❖ Power Handle Capability up to 30W
- ❖ High Isolation Across Operational Band
- ❖ Low Insertion Loss
- ❖ Stable Performance Over Temperature

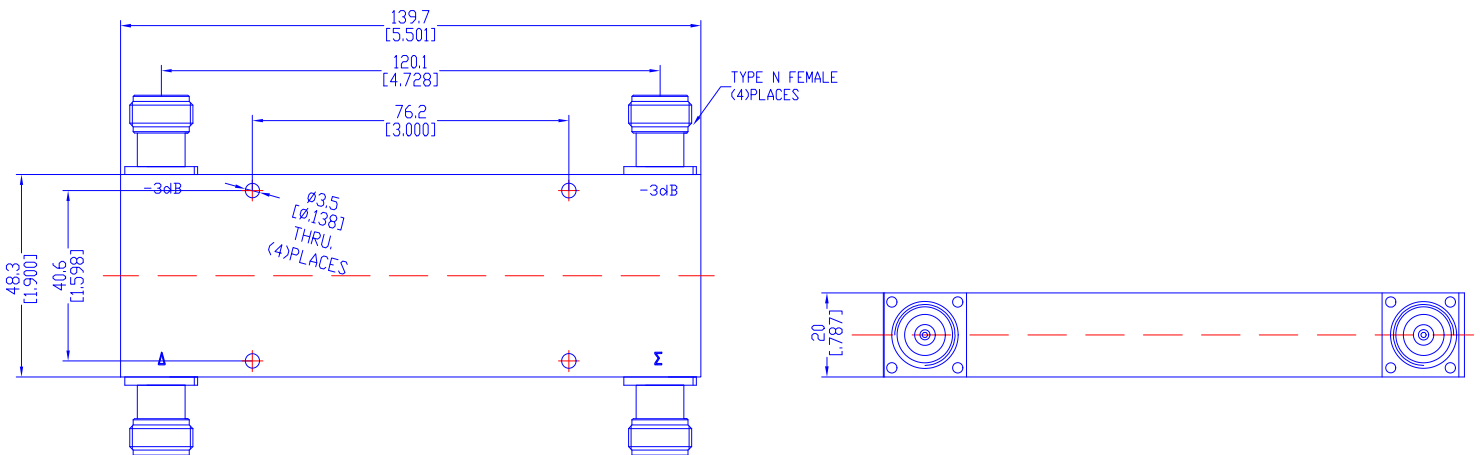
APPLICATIONS

- ❖ Commercial Wireless Communications
- ❖ Radar Systems
- ❖ Receivers Systems
- ❖ Antenna Beam Forming
- ❖ Test Labs

SPECIFICATIONS

Parameters	Min.	Typ.	Max.	Units
Frequency Range	410	-	460	MHz
Impedance	-	50	-	Ohms
Nominal Split	-	3.01	-	dB
Insertion Loss	-	-	0.5	dB
Isolation	25	-	-	dB
Amplitude Balance	-	-	±0.2	dB
Phase Balance	-	-	±2	Deg
VSWR	-	-	1.2	:1
Average Power	-	-	30	W
Peak Power	-	-	3	kW
Operating Temperature	-40	-	+70	°C
Input/Output Connectors	N-Female			
Weight	430g			
Surface Finishing	Black/Blue Paint			
Material	Aluminum			

Outline Drawing [mm[inch]]



Tolerances ±0.5[0.02]