

TMPS360-1-N DC-1 GHz, 360°/GHz, 100W, N Female

FEATURES

- ❖ Frequency Range from DC to 1 GHz
- ❖ Power Handle Capability up to 100W(CW)
- ❖ Rotary Dial Design for Continuous Adjustment
- ❖ Low Insertion Loss

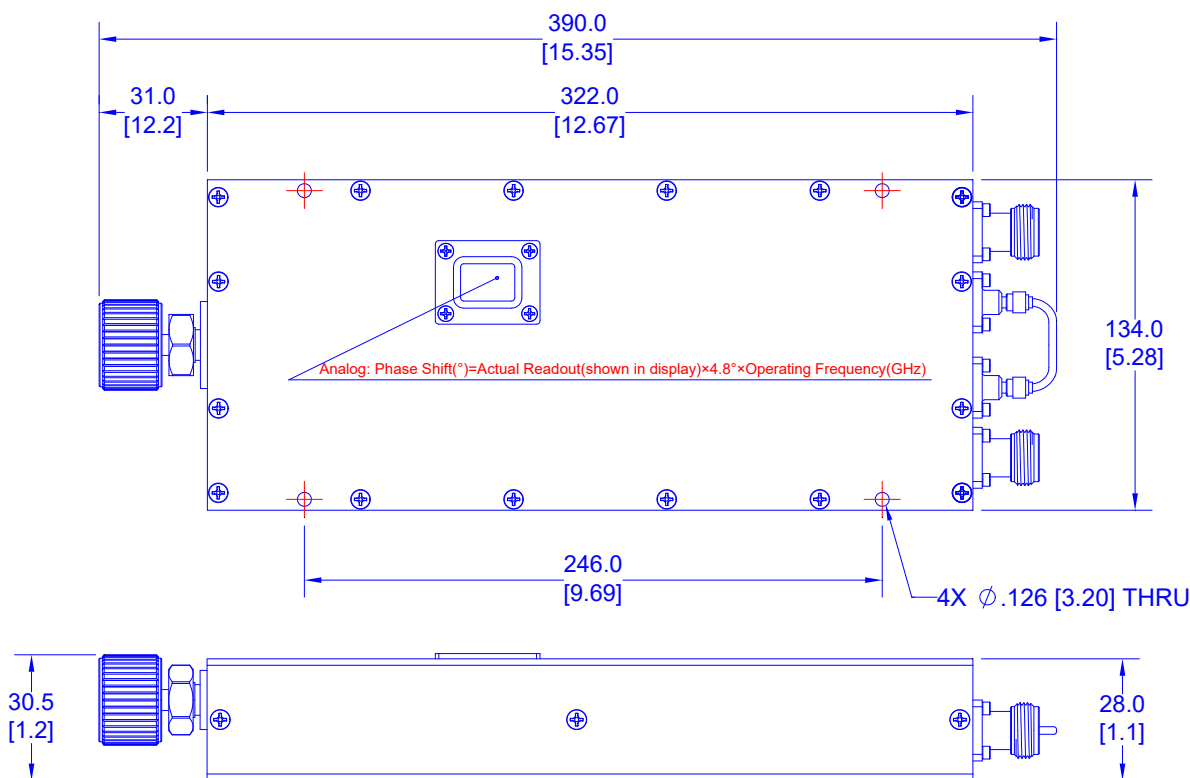
APPLICATIONS

- ❖ Test and Measurements
- ❖ Communications Systems
- ❖ Satellite Communications
- ❖ Radar Development
- ❖ Phase Array Antenna System

SPECIFICATIONS

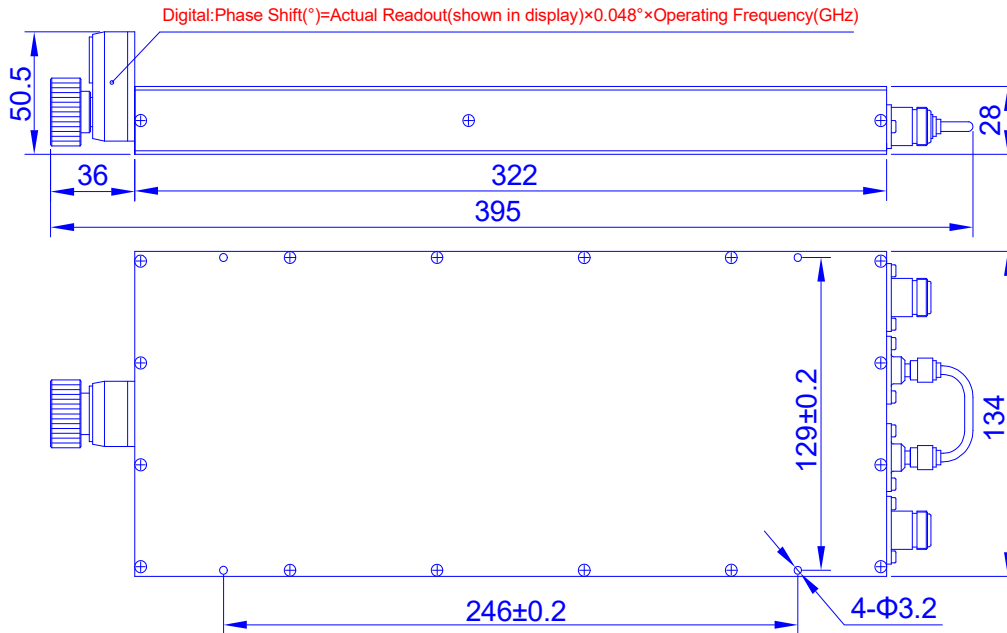
Parameters	Min.	Typ.	Max.	Units
Frequency Range	DC	-	1	GHz
Impedance	-	50	-	Ohms
Phase Shift	0	-	360	°
Phase Adjustment	0	-	360	°/GHz
VSWR	-	-	1.4	:1
Insertion Loss	-	-	1.5	dB
Input Power, CW	-	-	100	W
Input Power, Peak(5μs pulse width, 2% duty cycle)	-	-	5	kW
Operating Temperature	-10	-	+50	°C
Storage Temperature	-40	-	+70	°C
Input/Output Connectors	N-Female			
Readout Options	A-Analog; D-Digital			
Weight	1800g			
Surface Finishing	Blue Plated			
Material	Aluminum			

Outline Drawing ❖ Analog [mm[inch]]



TMPS360-1-N DC-1 GHz, 360°/GHz, 100W, N Female

Outline Drawing ♦ Digital [mm]



Ordering Information:

- * TMPS360-1-N-A: Calibrated analog readout is desired.
- * TMPS360-1-N-D: Calibrated digital readout is desired.