



Datasheet

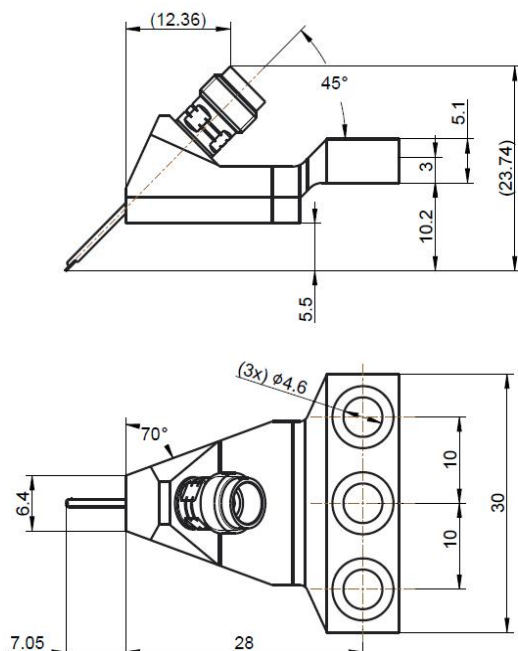
Model Number : TMPC67S45-100

Penprobe, DC-67GHz, GSG Config., 1.85mm-Female

Specifications

| | |
|-------------------------|------------------------------------------|
| Frequency Range | DC-67 GHz |
| Connector | 1.85mm-Female |
| Impedance | 50 Ohms |
| Return Loss | 18dB min@DC-40 GHz 14dB min@40-67 GHz |
| Insertion Loss | 1.0dB max |
| Equiped Connector Angle | 45° |
| Contact Configuration | GSG |
| Probe Pitch | 100μm |
| Probe Tip Width | 30μm |
| Recommend Overtravel | 50μm~75μm |
| Material | Aluminum Alloy |
| Probe Tip | BeCu, Gold Plated |
| Operating Temperature | -45°C~+85°C |
| RoHS Status | RoHS Compliant |

Outline Drawing[mm]:



Tolerance: ±0.25