

## Datasheet

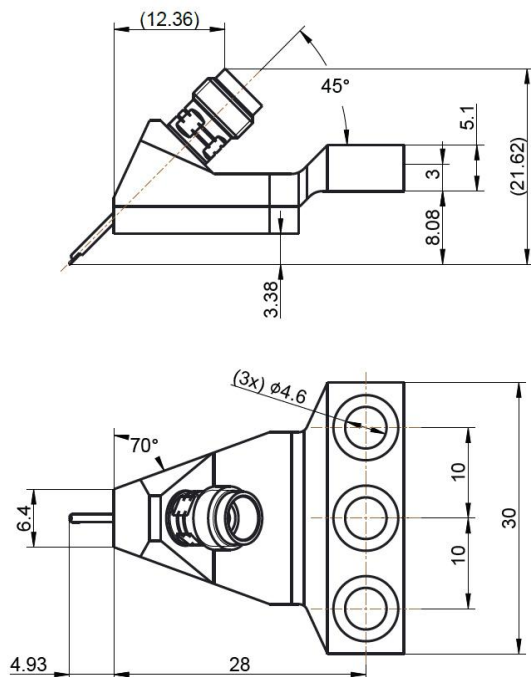
Model Number : TMPC67S45-150

### Penprobe, DC-67GHz, GSG Config., 1.85mm-Female

## Specifications

Frequency Range	DC-67 GHz
Connector	1.85mm-Female
Impedance	50 Ohms
Return Loss	18dB min@DC-40 GHz 14dB min@40-67 GHz
Insertion Loss	1.5dB max
Equiped Connector Angle	45°
Contact Configuration	GSG
Probe Pitch	150μm
Probe Tip Width	30μm
Recommend Overtravel	50μm~75μm
Material	Aluminum Alloy
Probe Tip	BeCu, Gold Plated
Operating Temperature	-45°C~+85°C
RoHS Status	RoHS Compliant

### Outline Drawing[mm]:



Tolerance: ±0.25