



Datasheet

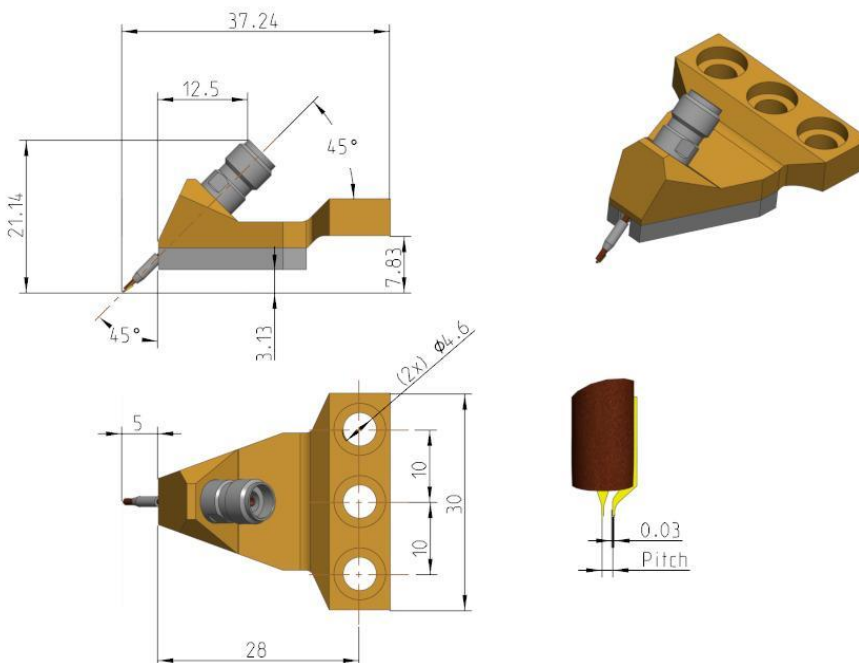
Model Number : TMPC67SG45-125

Penprobe, DC-67GHz, SG Config., 1.85mm-Female

Specifications

Frequency Range	DC-67 GHz
Connector	1.85mm-Female
Impedance	50 Ohms
Return Loss	15dB min@DC-40 GHz 12dB min@DC-67 GHz
Insertion Loss	1.0dB max
Equiped Connector Angle	45°
Contact Configuration	SG
Probe Pitch	125μm
Recommend Overtravel	50μm~75μm
Contact Resistance	< 50MΩ, Au pads < 75MΩ, Al pads
Insulator	PEEK
Material	Aluminum Alloy
Probe Tip	BeCu, Gold Plated(Au pads) Tungsten, Gold Plated(Al pads)
Operating Temperature	-45°C~+85°C
RoHS Status	RoHS Compliant

Outline Drawing[mm]:



Tolerance: ±0.25