



Datasheet

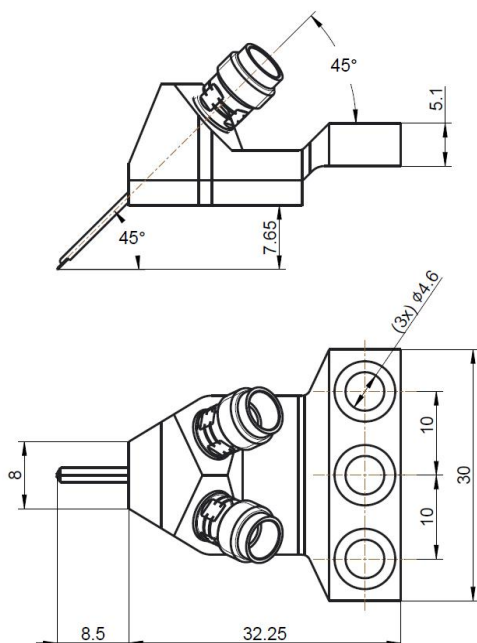
Model Number : TMPC67SS45-135-200-135

Penprobe, DC-67GHz, GSSG Config., 1.85mm-Female

Specifications

Frequency Range	DC-67 GHz
Connector	1.85mm-Female
Impedance	50 Ohms
Return Loss	15dB min@DC-67 GHz (based on 125 μ m pitch)
Insertion Loss	1.2dB max
Contact Resistance	<50M Ω , Au pads; <75M Ω , Al pads
Equiped Connector Angle	45°
Contact Configuration	GSSP
Probe Pitch	135-200-135 μ m
Recommend Overtravel	50 μ m~75 μ m
Material	Aluminum Alloy
Probe Tip	Nickel Alloy, Gold Plated
Insulator	mmWave material
Operating Temperature	-45°C~+85°C
RoHS Status	RoHS Compliant

Outline Drawing[mm]:



Tolerance: ± 0.25