



Datasheet

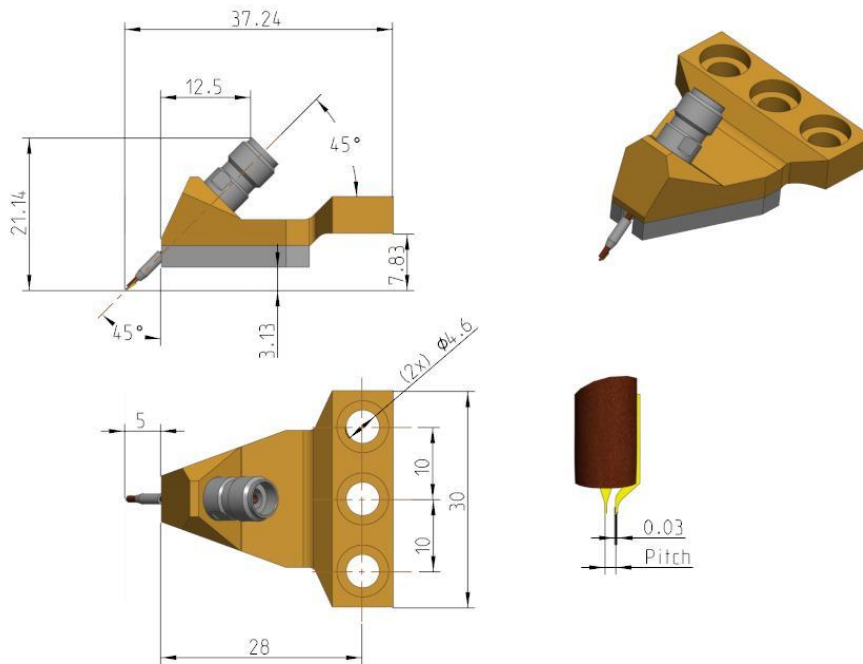
Model Number : TMPC40SG45-100

Penprobe, DC-40GHz, SG Config., 2.92mm-Female

Specifications

Frequency Range	DC-40 GHz
Connector	2.92mm-Female
Impedance	50 Ohms
Return Loss	15dB min
Insertion Loss	0.7dB max
Equiped Connector Angle	45°
Contact Configuration	SG
Probe Pitch	100μm
Recommend Overtravel	50μm~75μm
Contact Resistance	<50MΩ, Au pads <75MΩ, Al pads
Insulator	PEEK
Material	Aluminum Alloy
Probe Tip	BeCu, Gold Plated(Au pads) Tungsten, Gold Plated(Al pads)
Operating Temperature	-45°C~+85°C
RoHS Status	RoHS Compliant

Outline Drawing[mm]:



Tolerance: ±0.25